



# PARTS CATALOG

**R410A**

Outdoor unit

[Model Name]

SUZ-SA71VA3

SUZ-SA100VA2

[Service Ref.]

**SUZ-SA71VA3.TH**

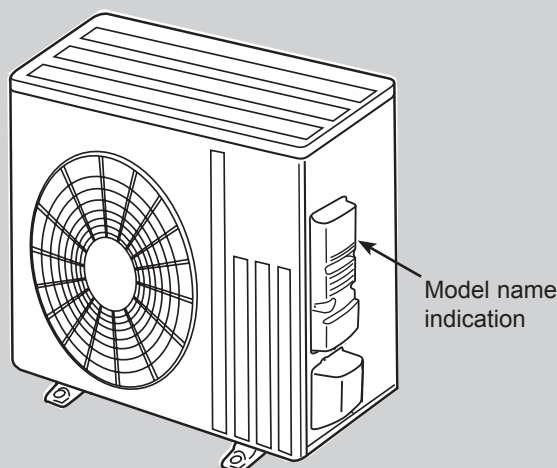
**SUZ-SA100VA2.TH**

Notes:

- RoHS compliant products have <G> mark on the spec name plate.
- For servicing of RoHS compliant products, refer to the RoHS Parts List.

## CONTENTS

1. RoHS PARTS LIST..... 2

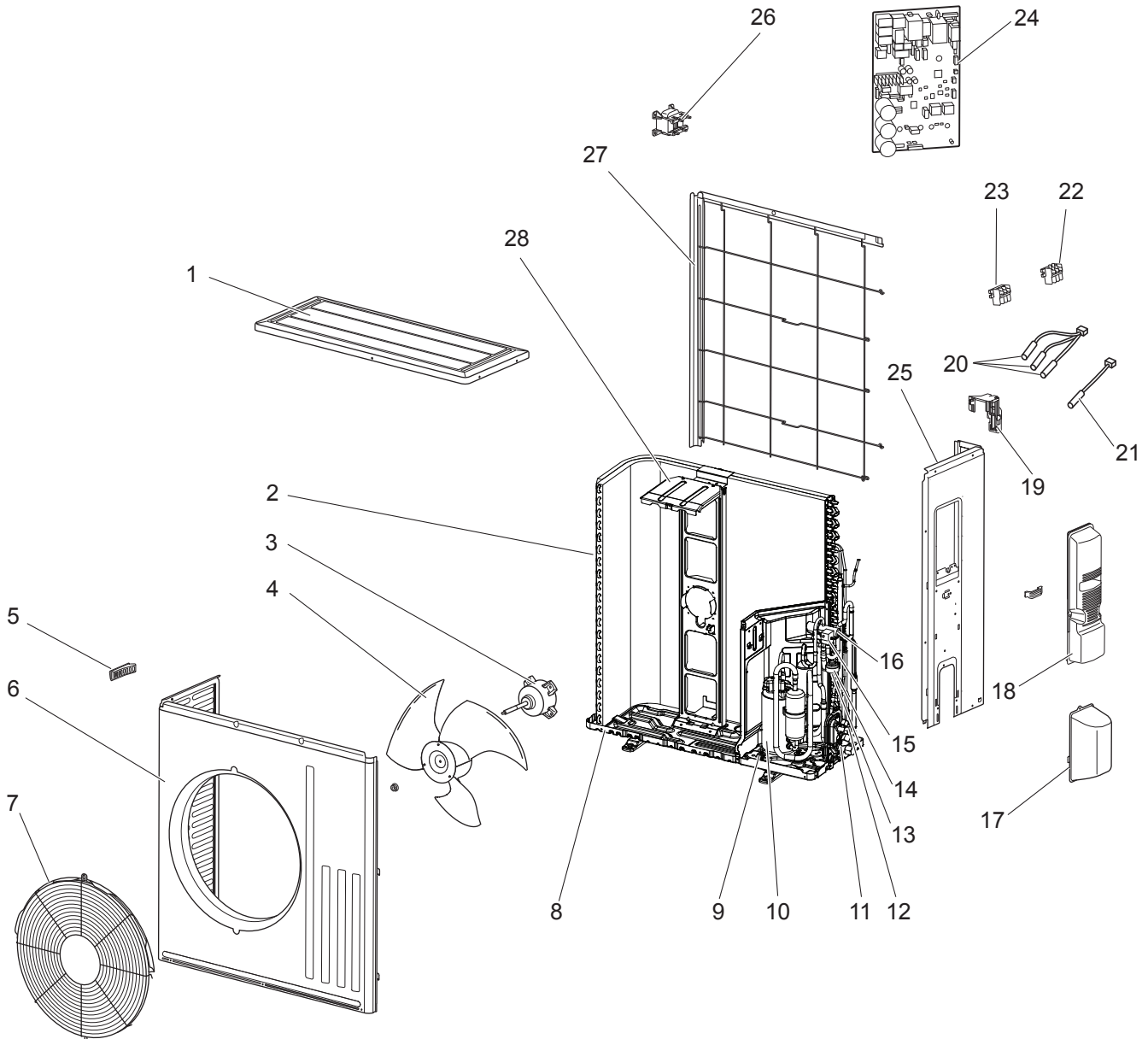


**SERVICE MANUAL (TCH030)**

SUZ-SA71VA3.TH

SUZ-SA100VA2.TH

**OUTDOOR UNIT STRUCTURAL PARTS, ELECTRICAL PARTS AND FUNCTIONAL PARTS**



# RoHS PARTS LIST

Parts numbers that are circled are not shown in the illustration.

No.	RoHS	Parts No.	Parts Name	Symbol in Wiring Diagram	Q'ty/unit		Remarks
					SUZ-SA71VA3.TH	SUZ-SA100VA2.TH	
1	G	E12 L87 297	TOP PANEL		1	1	
2	G	E12 J61 630	OUTDOOR HEAT EXCHANGER		1		
	G	E12 J62 630	OUTDOOR HEAT EXCHANGER			1	
3	G	E12 F28 301	OUTDOOR FAN MOTOR	MF	1	1	
4	G	E12 F28 501	PROPELLER FAN		1	1	
5	G	E12 817 009	HANDLE		1	1	
6	G	E12 R13 232	CABINET		1	1	
7	G	E12 F73 521	FAN GUARD		1	1	
8	G	E12 F28 290	BASE		1	1	
9	G	E12 C34 506	COMPRESSOR RUBBER SET		3	3	3 RUBBERS/SET
10	G	E17 B31 900	COMPRESSOR	MC	1		SNB140FRKMT
	G	E17 L41 900	COMPRESSOR	MC		1	SNB220FBGM1T
11	G	E12 F28 661	STOP VALVE(GAS)		1	1	φ15.88
12	G	E12 F29 662	STOP VALVE(LIQUID)		1	1	φ9.52
13	G	E12 853 640	EXPANSION VALVE		1	1	
14	G	E12 F28 493	EXPANSION VALVE COIL	LEV	1	1	
15	G	E12 J61 490	R.V.COIL	21S4	1	1	
16	G	E12 J61 961	4-WAY VALVE		1	1	
17	G	E12 F28 650	VALVE COVER		1	1	
18	G	E12 J61 245	SERVICE PANEL		1	1	
19	G	E12 F28 079	THERMO HOLDER		1	1	
20	G	E12 F28 308	THERMISTOR SET	RT61 RT62 RT68	1	1	DEFROST, DISCHARGE OUTDOOR HEAT EXCHANGER TEMPERATURE
21	G	E12 J61 309	AMBIENT TEMP. THERMISTOR	RT65	1	1	
22	G	E12 F28 374	TERMINAL BLOCK	TB1	1		3P (L, N, ⊕)
	G	E12 E11 374	TERMINAL BLOCK	TB1		1	3P (L, N, ⊕)
23	G	E12 F29 374	TERMINAL BLOCK	TB2	1	1	3P (S1, S2, S3)
24	G	E17 L53 451	INVERTER P.C.BOARD		1		Including heat sink and RT64
	G	E17 L54 451	INVERTER P.C.BOARD			1	
25	G	E12 J52 233	BACK PANEL (OUT)		1	1	
26	G	E12 F28 337	REACTOR		1	1	
27	G	E12 L87 523	CONDENSER NET		1	1	
28	G	E12 F28 515	MOTOR SUPPORT		1	1	
29	G	E12 527 936	CAPILLARY TUBE		1	1	φ4.0 × φ2.4 × 100
	G	E12 838 936	CAPILLARY TUBE		2	3	φ3.0 × φ2.0 × 200
30	G	E12 F28 704	DRAIN SOCKET		1	1	
31	G	E17 B32 351	CAPACITOR ASSY	CX1, CX2		1	

**Mr. SLIM**

**mitsubishi electric corporation**

HEAD OFFICE: TOKYO BLDG., 2-7-3, MARUNOUCHI, CHIYODA-KU, TOKYO100-8310, JAPAN

**mitsubishi electric consumer products (thailand) co., ltd.**  
**AMATA NAKORN INDUSTRIAL ESTATE**  
**700/406 MOO 7, TAMBON DON HUA ROH,**  
**AMPHUR MUANG, CHONBURI 20000 THAILAND**  
**Made in Thailand**

New publication, effective Jan. 2018  
Specifications are subject to change without notice.