

# SERVICE PARTS LIST FOR MITSUBISHI ELECTRIC PACKAGED AIR-CONDITIONERS

Series : PLFY-P•VLMD-E

REVISED

Sept. 2020

BWE0404M

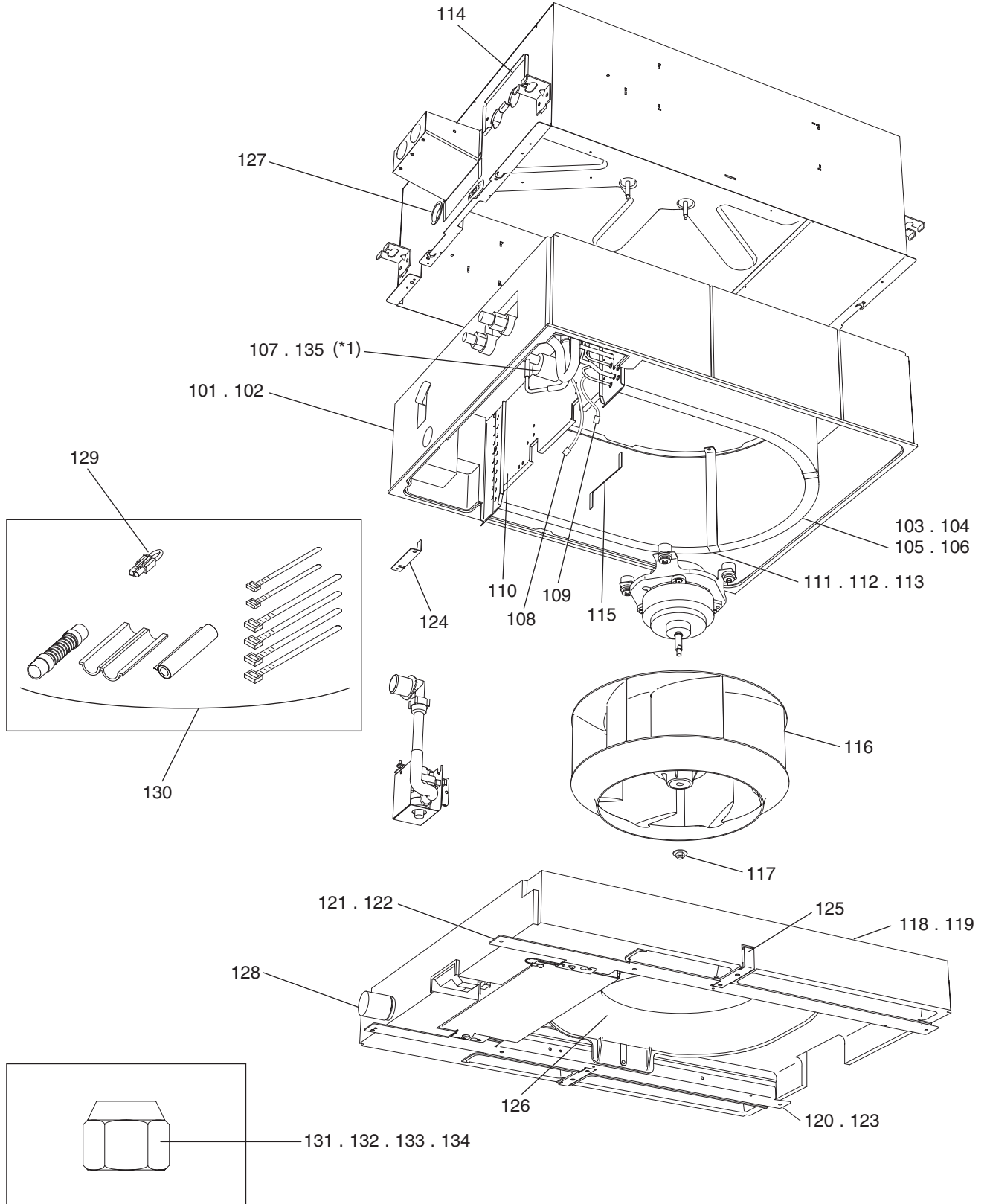
INDEX
PLFY-P20VLMD-E
PLFY-P25VLMD-E
PLFY-P32VLMD-E
PLFY-P40VLMD-E
PLFY-P50VLMD-E
PLFY-P63VLMD-E
PLFY-P80VLMD-E
PLFY-P100VLMD-E
PLFY-P125VLMD-E

Part information update day : 2020/09/03

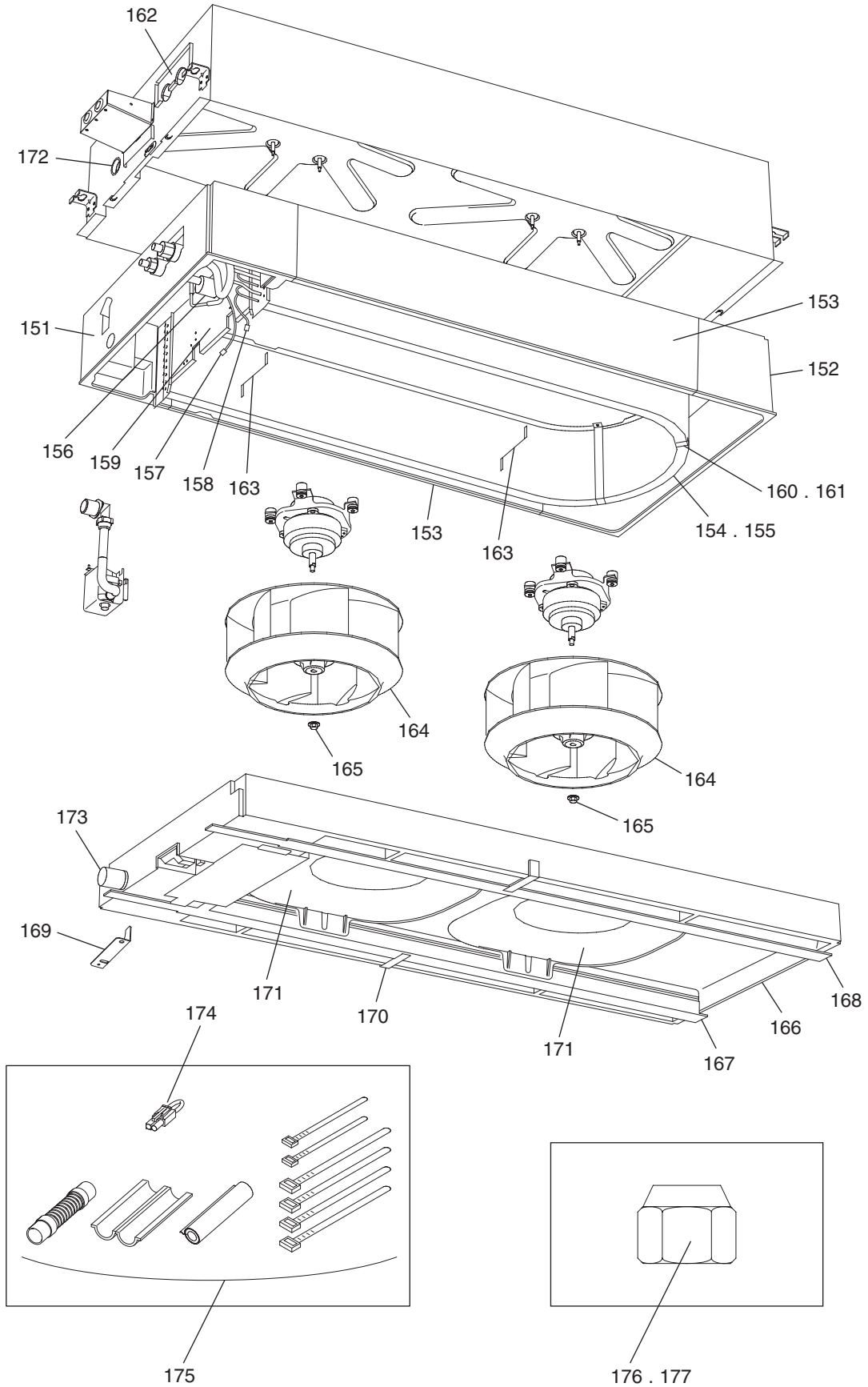
Please change the old catalog (issued Mar. 2020, No.BWE0404L) to this new catalog.  
Content of revision : Some of parts are changed.



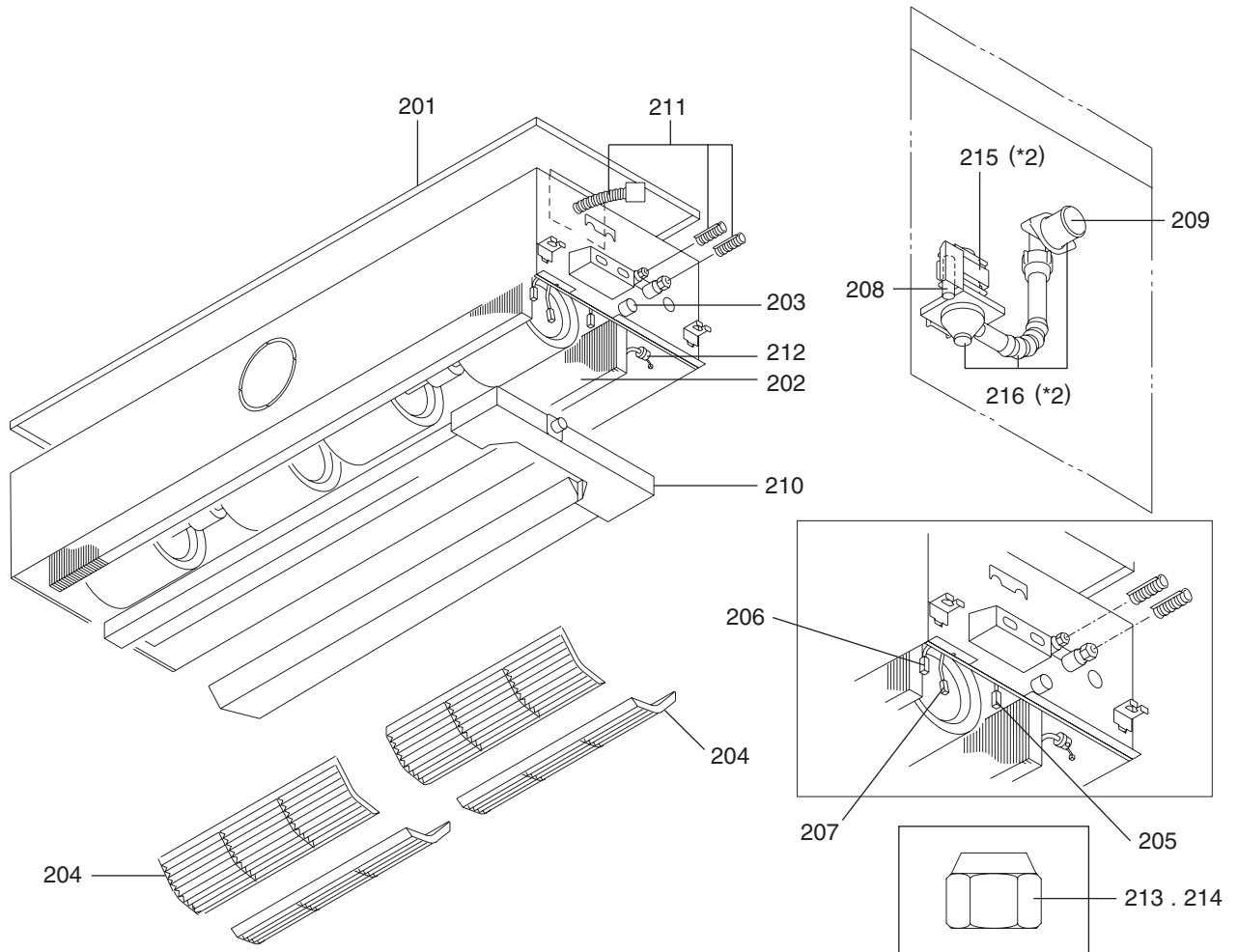
\*1 Products manufactured in or before July 2020 have the EFM-type LEV. Products manufactured in or after Aug. 2020 have the PAM-type LEV. Replace the EFM-type LEV with the PAM-type LEV, using parts 107 and 135.











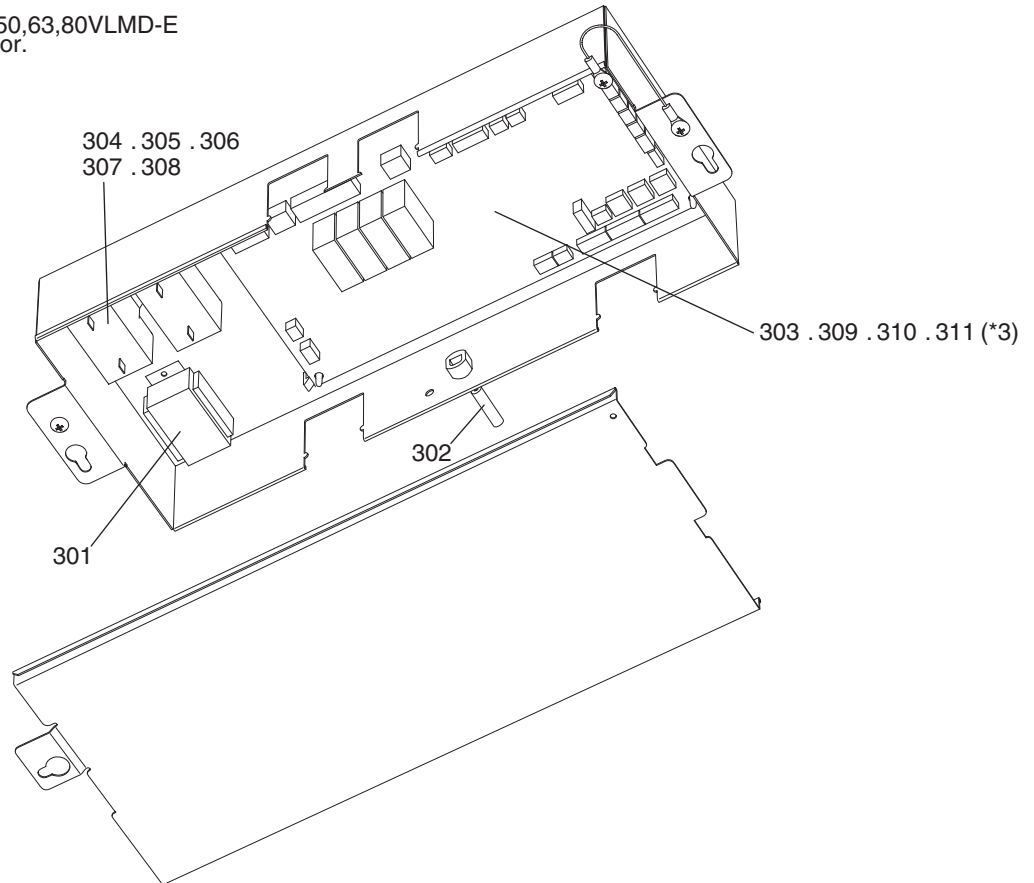
\*2 Parts No. 215 is for use with the indoor units with a production number of OZW00534 and later.  
 If the production number is OZW00533 or earlier, or if it is not available, use parts No. 216.



PLFY-P20,P25,P32VLMD-E  
 PLY-P40,P50,P63VLMD-E  
 PLY-P80,P100VLMD-E

CONTROL BOX PARTS (1)

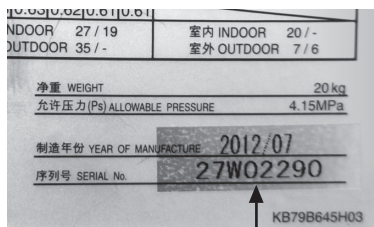
\*PLFY-P20,25,32,40,50,63,80VLMD-E has only one capacitor.



\*3 For the products whose serial number is 5XW\*\*\*\*\* or later, be sure to use No.311.  
 For the products whose serial number is from 2ZW\*\*\*\*\* to 59W\*\*\*\*\*, be sure to use No.310 or No.311.  
 For the products whose serial number is from 04W\*\*\*\*\* to 2YW\*\*\*\*\*, be sure to use No.309, No.310 or No.311.  
 For the products whose serial number is 93W\*\*\*\*\* or earlier, No.303, No.309, No.310 or No.311 can be used.  
 If the production number of the indoor unit is not available, procure parts No.311.  
 No.303, No.309 or No.310 will be supplied as long as the stock is available,  
 and only No.311 will be supplied after the existing stock of No.303, No.309 or No.310 are depleted.

	~93W*****	04W*****~2YW*****	2ZW*****~59W*****	5XW*****~
No.303	USE	NOT USE	NOT USE	NOT USE
No.309	USE	USE	NOT USE	NOT USE
No.310	USE	USE	USE	NOT USE
No.311	USE	USE	USE	USE

Serial No. of Air Conditioning & Refrigeration Systems Works.



Serial No.

2 7 W 0 2 2 9 0

↑ ↑ ↑ ↑  
 Serial number

↑ ↑  
 Air Conditioning & Refrigeration Systems Works (Wakayama) identification. W stands for W of WAKAYAMA.

↑ ↑  
 Production month

Production **season** of Air Conditioning & Refrigeration Systems Works **April to March**  
 In this case, July / 2012

Production month / season

- 2 4 April / 2012
- 2 5 May / 2012
- 2 6 June / 2012
- 2 7 July / 2012
- 2 8 August / 2012
- 2 9 September / 2012
- 2 X October / 2012
- 2 Y November / 2012
- 2 Z December / 2012
- 2 1 January / 2013
- 2 2 February / 2013
- 2 3 March / 2013
- 3 4 April / 2013
- 3 5 May / 2013



PLFY-P20,P25,P32VLMD-E  
 PLYF-P40,P50,P63VLMD-E  
 PLYF-P80,P100VLMD-E

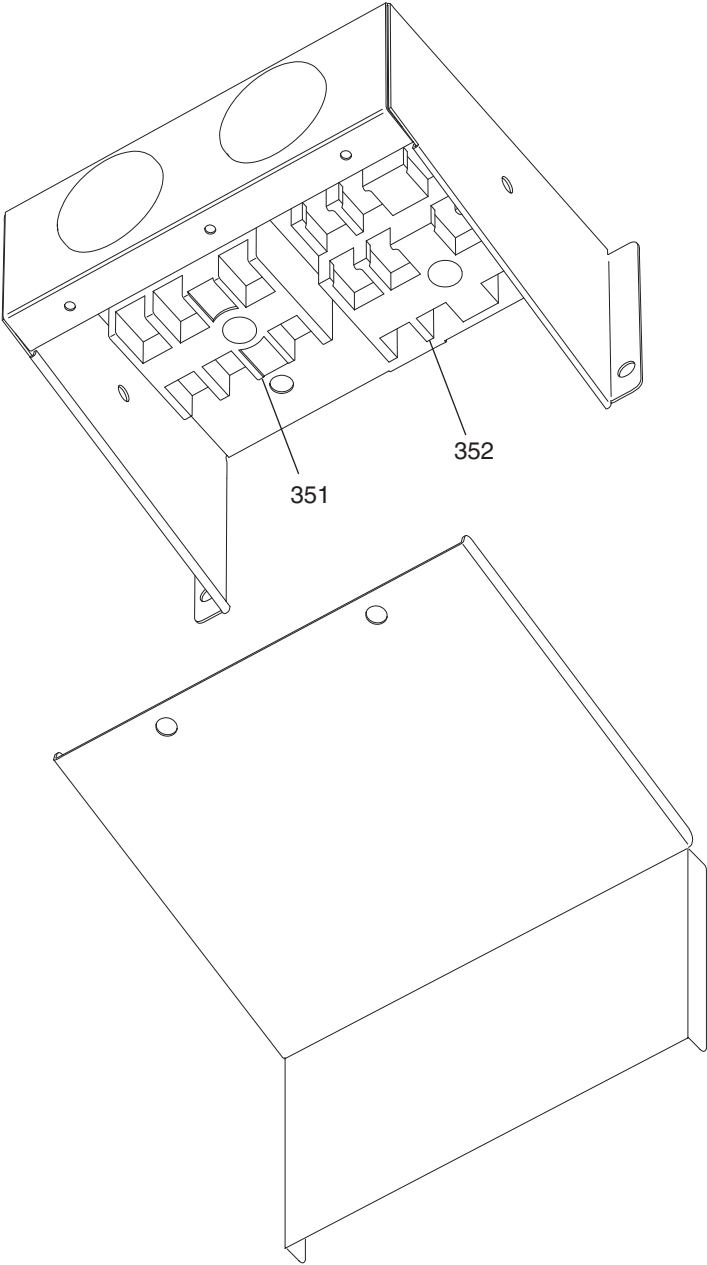
CONTROL BOX PARTS (1)

No.	Part No.	Part Name	Spec.	PLFY-P20VLMD-E	PLFY-P25VLMD-E	PLFY-P32VLMD-E	PLFY-P40VLMD-E	PLFY-P50VLMD-E	PLFY-P63VLMD-E	Dwg. No.	Notes for the models	Revision info.
301	R61 004 260	Transformer	T 240V/23.2V-1.1AXA	1	1	1	1	1	1	P715419X01		
302	R61 171 200	Thermistor		1	1	1	1	1	1	KB00U783G05	inlet	
303	R63 Y34 281	Controller board		1	1	1	1	1	1	W849072G02	*3	
304	R63 Y22 252	Capacitor	440VAC 1.3 $\mu$ F	1	1	1				P412283X01		
305	R63 Y14 252	Capacitor	440VAC 1.5 $\mu$ F				1			P412234X01		
306	R63 Y23 252	Capacitor	440VAC 1.7 $\mu$ F					1		P412280X01		
307	R63 M92 252	Capacitor	440VAC 2.2 $\mu$ F						1	P412282X01		
308	R63 Y15 252	Capacitor	440VAC 2.0 $\mu$ F							P412235X01		
309	R61 146 280	Controller board		1	1	1	1	1	1	KE00D204G25	*3	
310	R61 234 280	Controller board		1	1	1	1	1	1	KE80C782G01	*3	
311	R61 427 280	Controller board		1	1	1	1	1	1	KE80C782G05	*3	



PLFY-P20,P25,P32VLMD-E  
PLFY-P40,P50,P63VLMD-E  
PLFY-P80,P100VLMD-E

CONTROL BOX PARTS (2)



PLFY-P20,P25,P32VLMD-E  
 PLY-P40,P50,P63VLMD-E  
 PLY-P80,P100VLMD-E

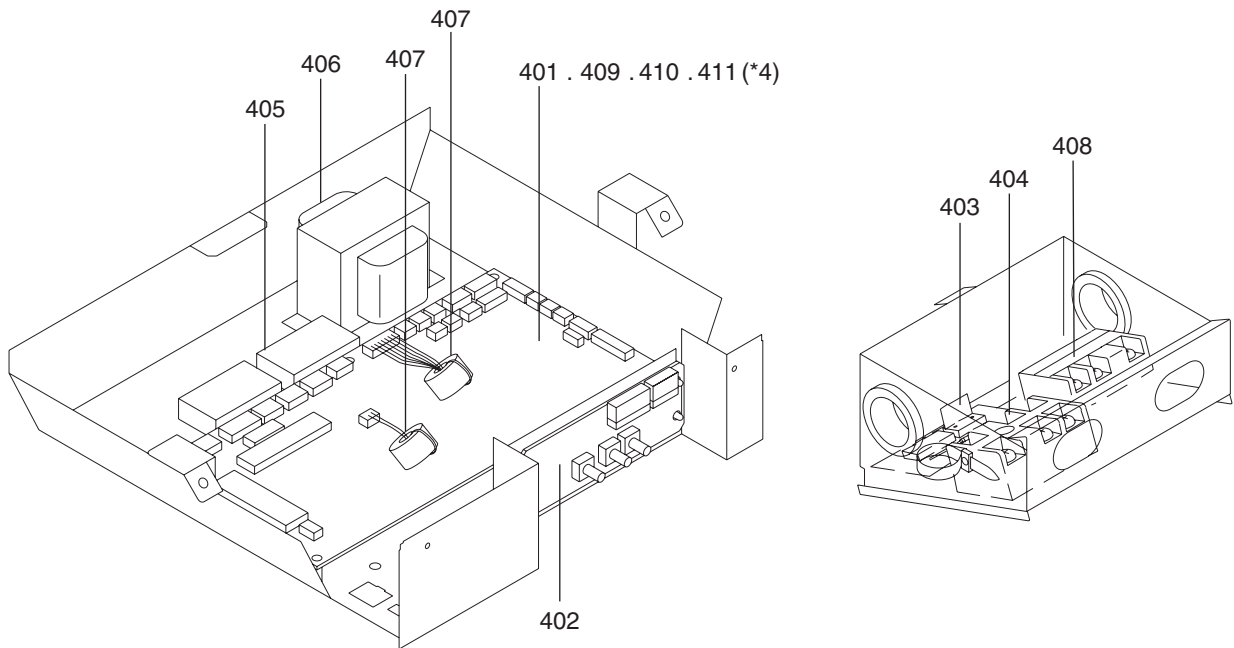
## CONTROL BOX PARTS (2)

No.	Part No.	Part Name	Spec.	PLFY-P20VLMD-E	PLFY-P25VLMD-E	PLFY-P32VLMD-E	PLFY-P40VLMD-E	PLFY-P50VLMD-E	PLFY-P63VLMD-E	Dwg. No.	Notes for the models	Revision info.
351	R63 Y08 715	Terminal block		1	1	1	1	1	1	P436239X01		
352	R63 336 246	Terminal block		1	1	1	1	1	1	P436114X03		

PLFY-P20,P25,P32VLMD-E  
 PLY-P40,P50,P63VLMD-E  
 PLY-P80,P100VLMD-E

**CONTROL BOX PARTS (2)**

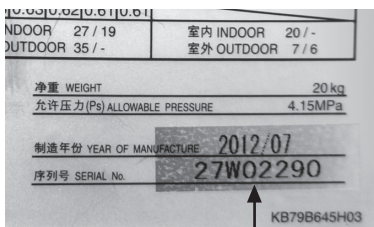
No.	Part No.	Part Name	Spec.	PLFY-P80VLMD-E	PLFY-P100VLMD-E						Dwg. No.	Notes for the models	Revision info.
351	R63 Y08 715	Terminal block		1	1						P436239X01		
352	R63 336 246	Terminal block		1	1						P436114X03		



\*4 For the products whose serial number is 5XW\*\*\*\*\* or later, be sure to use No.411.  
 For the products whose serial number is from 2ZW\*\*\*\*\* to 59W\*\*\*\*\*, be sure to use No.410 or No.411.  
 For the products whose serial number is from 04W\*\*\*\*\* to 2YW\*\*\*\*\*, be sure to use No.409, No.410 or No.411.  
 For the products whose serial number is 93W\*\*\*\*\* or earlier, No.401, No.409, No.410 or No.411 can be used.  
 If the production number of the indoor unit is not available, procure parts No.409.  
 No.401, No.409 or No.410 will be supplied as long as the stock is available,  
 and only No.411 will be supplied after the existing stock of No.401, No.409 or No.410 are depleted.

	~93W*****	04W*****~2YW*****	2ZW*****~59W*****	5XW*****~
No.401	USE	NOT USE	NOT USE	NOT USE
No.409	USE	USE	NOT USE	NOT USE
No.410	USE	USE	USE	NOT USE
No.411	USE	USE	USE	USE

**Serial No. of Air Conditioning & Refrigeration Systems Works.**



2 7 W 0 2 2 9 0

↑ ↑ ↑ ↑  
 Serial number  
 Air Conditioning & Refrigeration Systems Works (Wakayama) identification.  
 W stands for W of WAKAYAMA.  
 ↑ ↑  
 Production month  
 Production **season** of Air Conditioning & Refrigeration Systems Works **April to March**  
 In this case, July / 2012

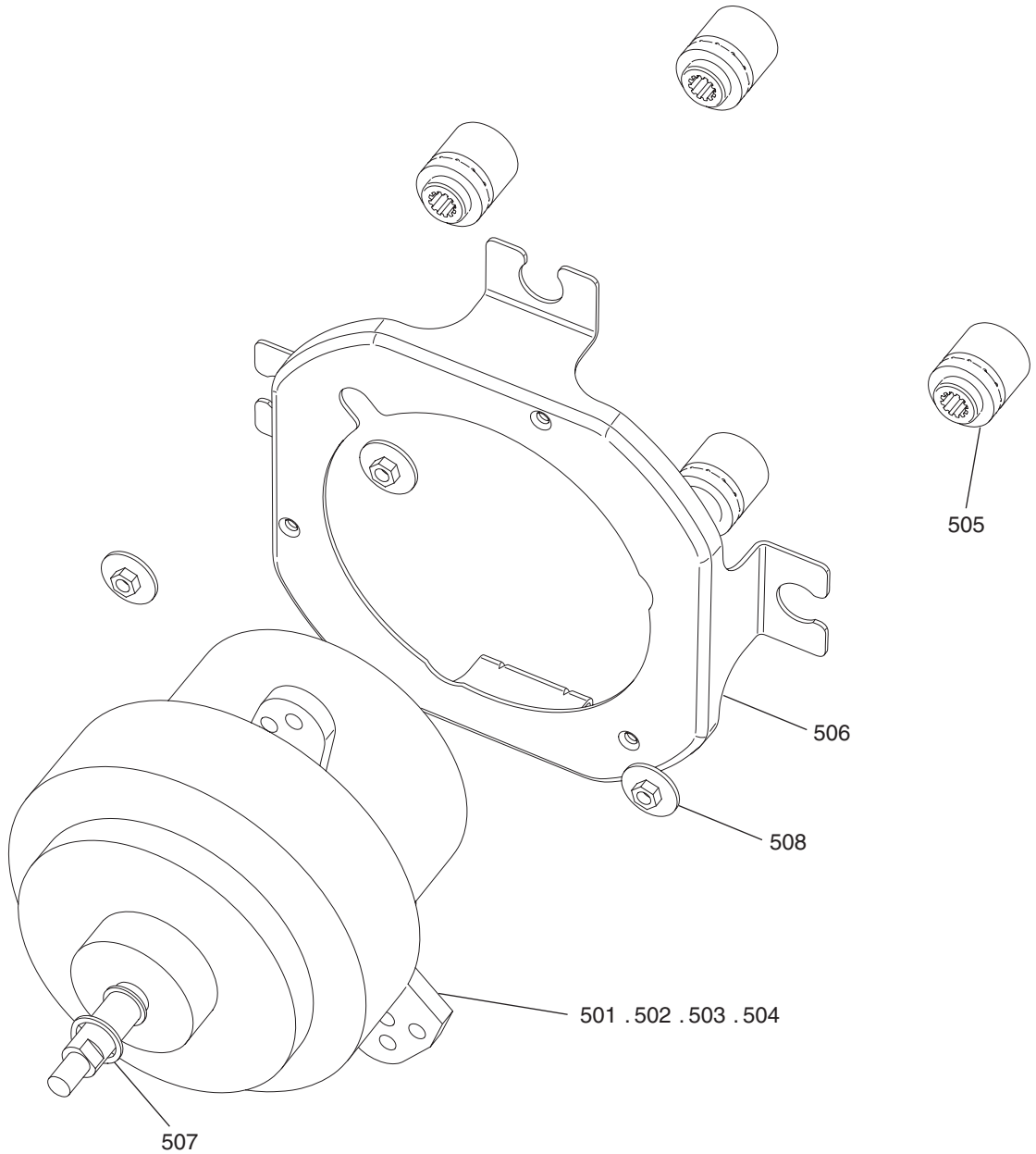
Production month / season

- 2 4 April / 2012
- 2 5 May / 2012
- 2 6 June / 2012
- 2 7 July / 2012
- 2 8 August / 2012
- 2 9 September / 2012
- 2 X October / 2012
- 2 Y November / 2012
- 2 Z December / 2012
- 2 1 January / 2013
- 2 2 February / 2013
- 2 3 March / 2013
- 3 4 April / 2013
- 3 5 May / 2013

No.	Part No.	Part Name	Spec.	PLFY-P125VLMD-E								Dwg. No.	Notes for the models	Revision info.
401	R63 Y35 281	Board assy PC		1								W849072G04	<I.B> *4	
402	R63 Y37 281	Board assy AD		1								W849036G09	<A.B>	
403	R63 Y22 280	Board assy DSA		1								W849072G13	<S.B>	
404	R63 Y08 715	Terminal block		1								P436239X01	<TB2>	
405	R63 F79 252	Capacitor 5	440VAC 5 μ F	2								P412214X01	<C1,2>	
406	R63 007 260	Transformer	240V/23.5V-0.9A	1								P715414X01	<T>	
407	R63 Y01 015	Troidal ferrite cramp		1								P419042X01	<FB1,2>	
408	R63 336 246	Terminal block		1								P436114X03	<TB5,15>	
409	R61 147 280	Board assy PC		1								KE00D204G26	<I.B> *4	
410	R61 235 280	Board assy PC		1								KE80C781G01	<I.B> *4	
411	R61 428 280	Board assy PC		1								KE80C781G03	<I.B> *4	

PLFY-P20,P25,P32VLMD-E  
PLFY-P40,P50,P63VLMD-E  
PLFY-P80,P100VLMD-E

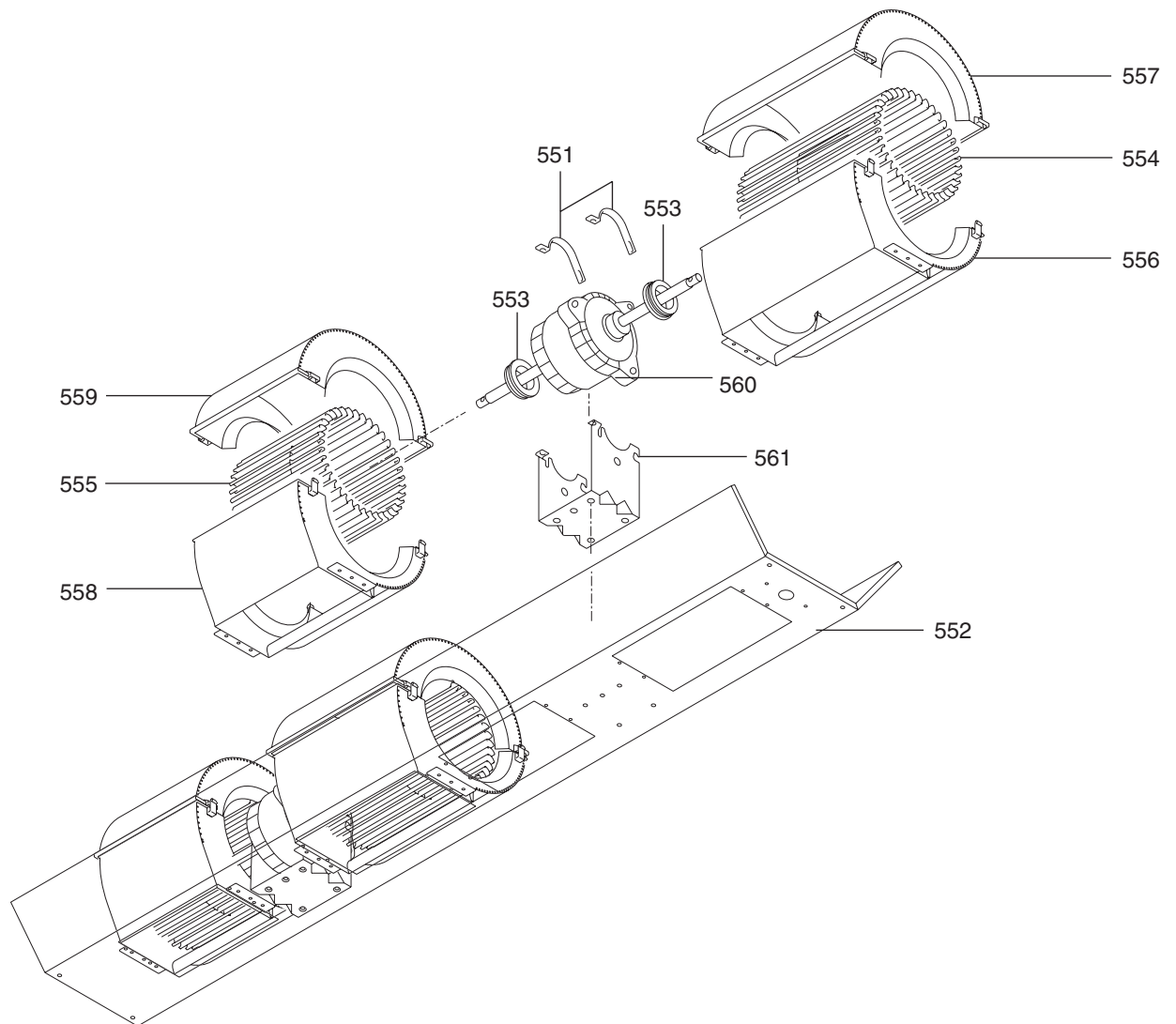
### BLOWER PARTS (1)







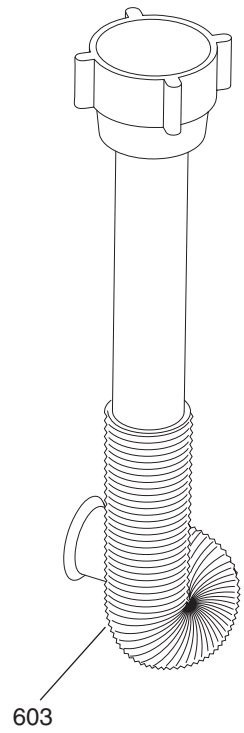
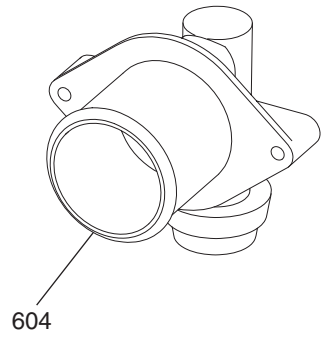
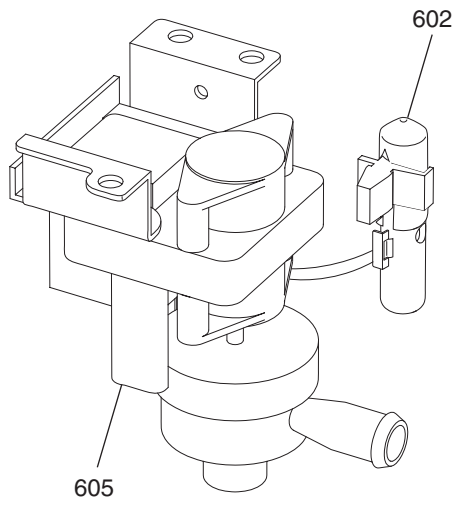
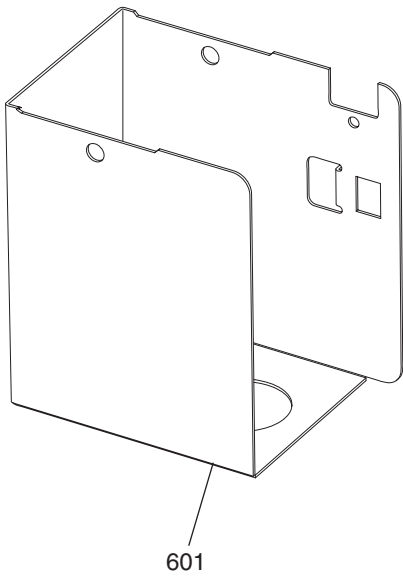






PLFY-P20,P25,P32VLMD-E  
PLFY-P40,P50,P63VLMD-E  
PLFY-P80,P100VLMD-E

### DRAIN PUMP PARTS







**mitsubishi**  
**electric**  
**corporation**

---

BWE0404M (20200930)