

SERVICE PARTS LIST FOR MITSUBISHI ELECTRIC AIR-CONDITIONING CONTROL SYSTEM

Series : AE-200(50)A,E TE-200(50)A
EW-50A,E TW-50A

Centralized Controller

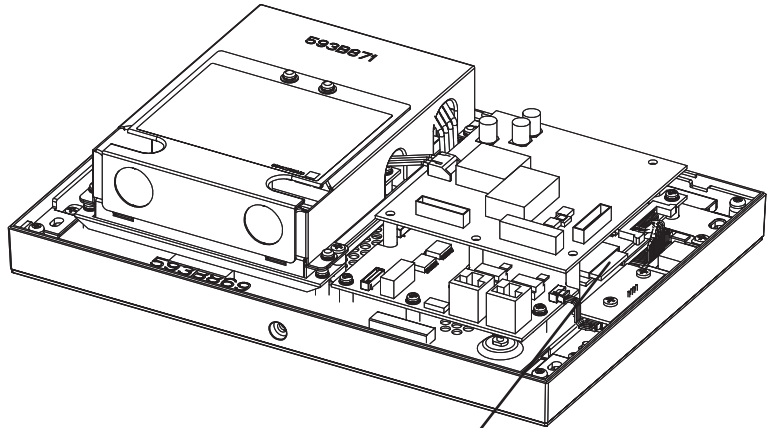
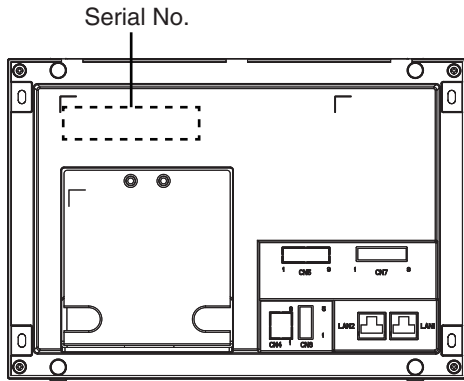
Oct. 2020
BWE020070

INDEX
AE-200A
AE-200E
AE-50A
AE-50E
TE-200A
TE-50A
EW-50A
EW-50E
TW-50A

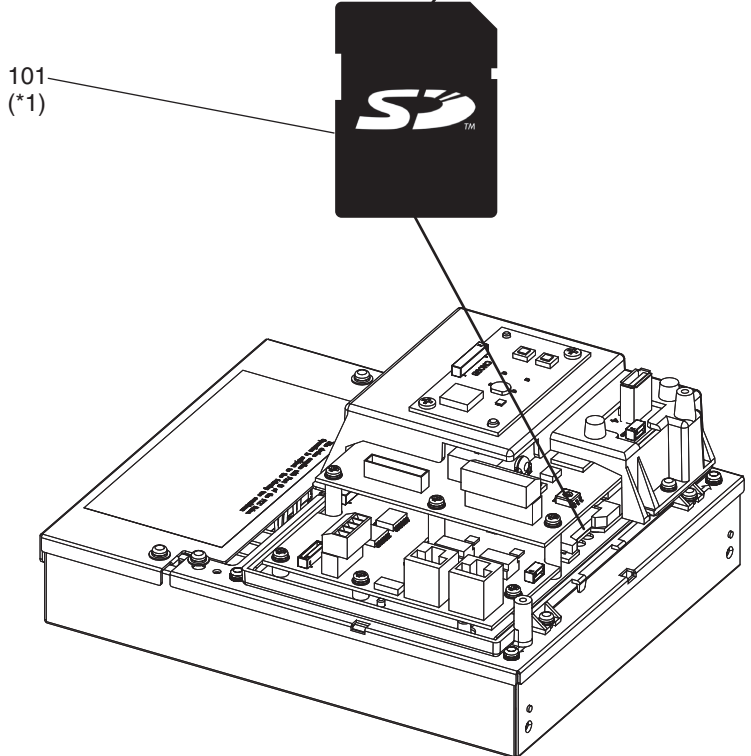
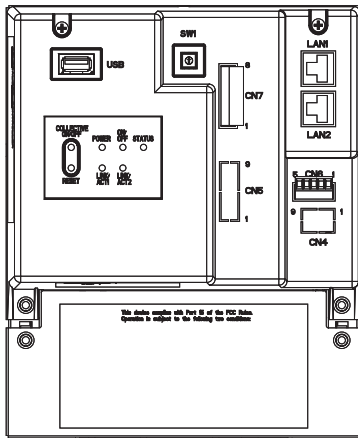
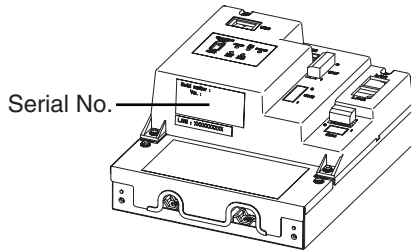
**AE-200(50)A,E TE-200(50)A
EW-50A,E TW-50A**

FUNCTIONAL PARTS

AE-200(50)A,E TE-200(50)A



EW-50A,E TW-50A



*1 Replacement SD cards are available for the products manufactured on or after the dates listed in the table below.

Model	Manufacturing date
AE-200A	On and after November 16, 2016
AE-200E	On and after November 18, 2016 (except January 20, 2017)
AE-50A	On and after November 26, 2016
AE-50E	On and after January 17, 2017
EW-50A	On and after April 19, 2017
EW-50E	On and after May 12, 2017
TE-200A TE-50A TW-50A	All periods

See below for how to find the manufacturing date.

17 B 86-***

AE-200A,AE-200E,AE-50A,AE-50E:
The value indicated here minus 50 indicates
the last two digits of the year.
86 - 50 = 36 indicating the year 2036

EW-50A,EW-50E:
The value indicated here minus 70 indicates
the last two digits of the year.
86 - 70 = 16 indicating the year 2016

Indicates the date.

Production month

- 1 January
- 2 February
- 3 March
- 4 April
- 5 May
- 6 June
- 7 July
- 8 August
- 9 September
- A October
- B November
- C December

mitsubishi
electric
corporation

BWE020070 (20201031)