

SERVICE PARTS LIST FOR MITSUBISHI ELECTRIC PACKAGED AIR-CONDITIONERS

Series : CMB

REVISED

Nov. 2020

BWE01804A

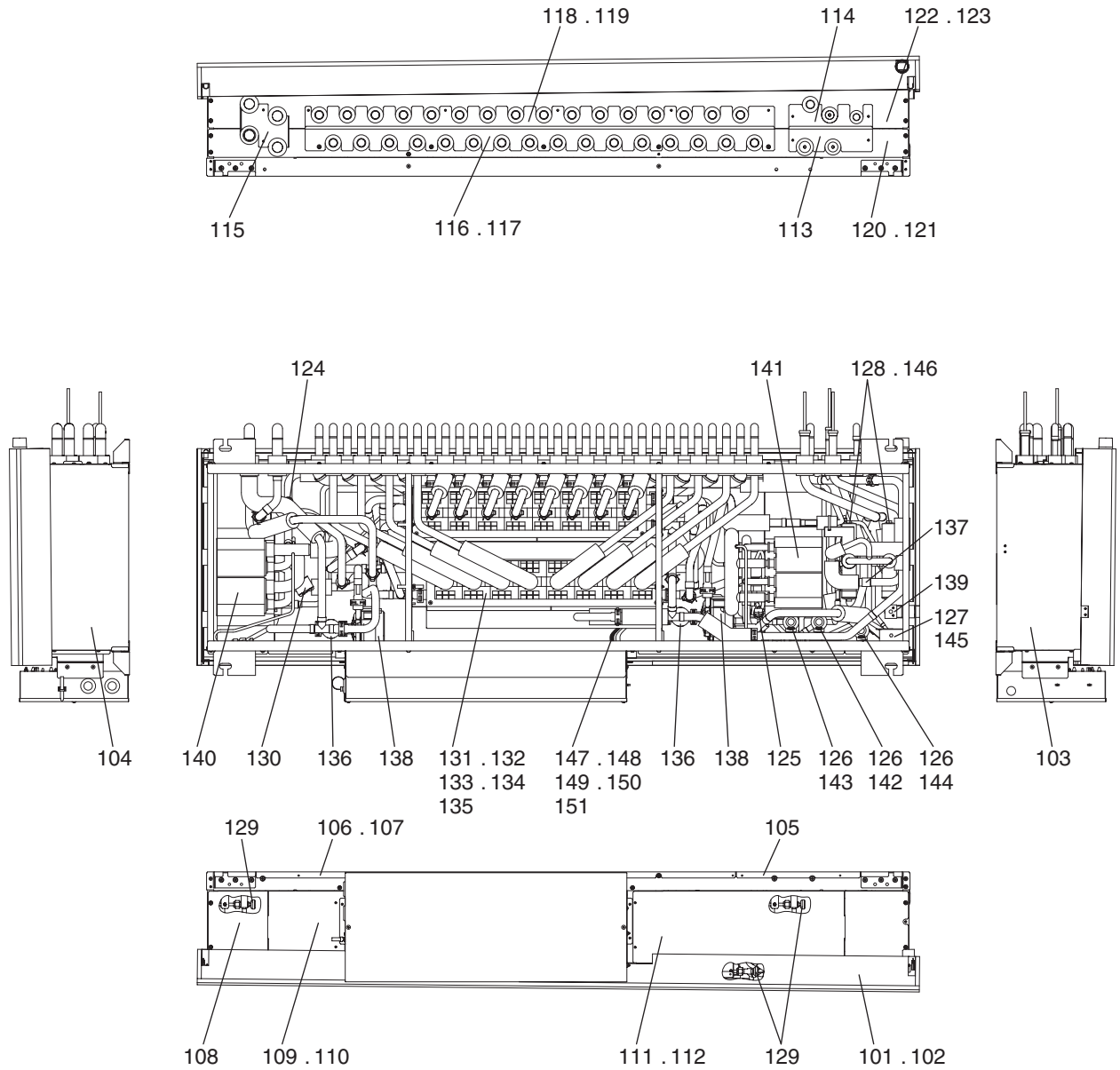
INDEX
CMB-WM108V-AA
CMB-WM1016V-AA
CMB-WM108V-AB
CMB-WM1016V-AB

Part information update day : **2020/11/02**

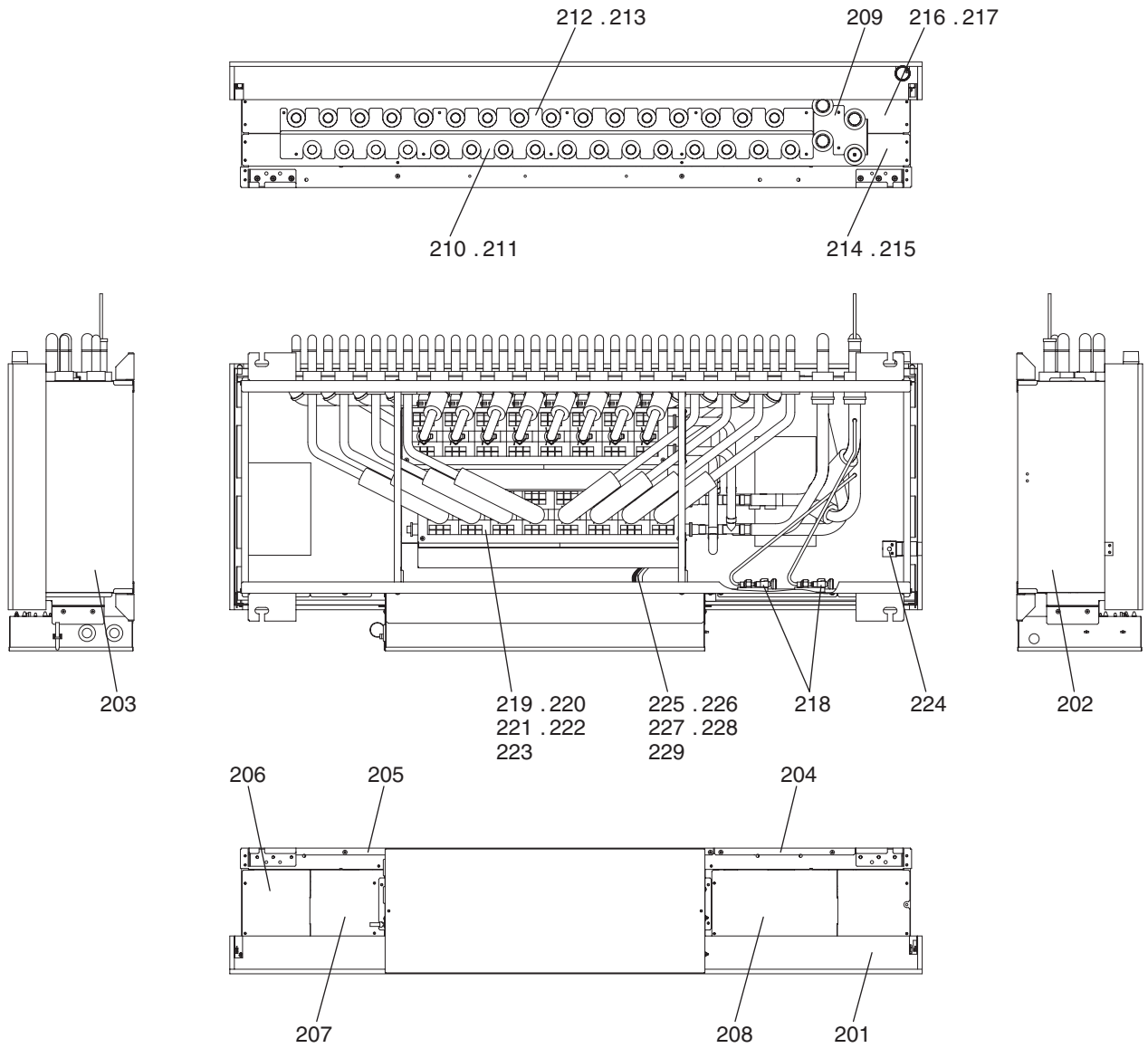
Please change the old catalog (issued Apr. 2018, No.BWE018040) to this new catalog.

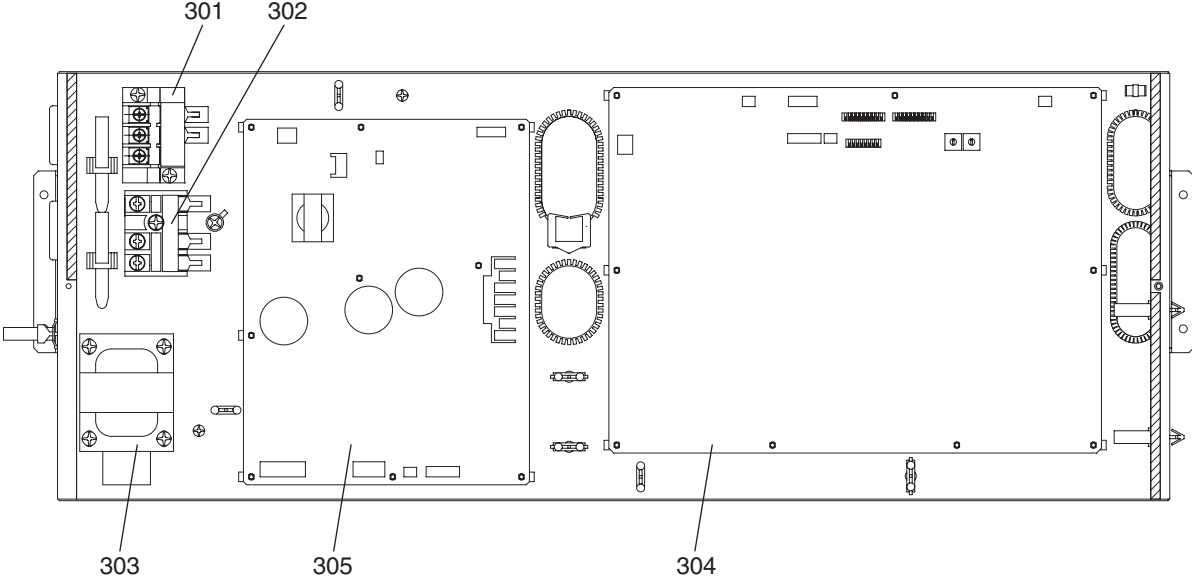
Content of revision : Some of parts are changed.





No.	Part No.	Part Name	Spec.	CMB-WM108V-AA	CMB-WM1016V-AA					Dwg. No.	Notes for the models	Revision info.
101	R61 147 529	Drain pan			1					KJ00R326G01		
102	R61 148 529	Drain pan		1						KJ00R364G01		
103	R61 324 651	Panel SL		1	1					KB02V561H02		
104	R61 325 651	Panel SR		1	1					KB02V562H02		
105	R61 326 651	Panel TL		1	1					KJ02R327H02		
106	R61 327 651	Panel TR			1					KB02V901H01		
107	R61 328 651	Panel TR		1						KJ02R347H02		
108	R61 178 690	Cover BR L		1	1					KJ02T513H01		
109	R61 179 690	Cover BR R			1					KJ02T536H01		
110	R61 180 690	Cover BR R		1						KJ02T514H01		
111	R61 181 690	Cover BL L			1					KJ02T535H01		
112	R61 182 690	Cover BL L		1						KJ02T511H01		
113	R61 183 690	Cover SL U		1	1					KD02S572H01		
114	R61 184 690	Cover SL B		1	1					KD02S571H01		
115	R61 199 690	Cover SL		1	1					KJ02F088H01		
116	R61 186 690	Cover MU			1					KJ02R330H01		
117	R61 187 690	Cover MU		1						KJ02R349H01		
118	R61 188 690	Cover MB			1					KJ02R329H01		
119	R61 189 690	Cover MB		1						KJ02R348H01		
120	R61 329 651	Panel FU			1					KB02V573H03		
121	R61 330 651	Panel FU		1						KB02V581H03		
122	R61 332 651	Panel FB			1					KB02V572H03		
123	R61 333 651	Panel FB		1						KB02V580H03		
124	R61 117 288	Pressure sensor	HP D272	1	1					KD00U849G05	<PS1>	Chg.
125	R61 118 288	Pressure sensor	HP D272	1	1					KD00U849G06	<PS3>	Chg.
126	R61 107 401	Linear expansion valve	PAM-BB0YGMD-2	3	3					KR50C486H01	<LEV1 ~ 3>	
127	R63 4F3 232	Solenoid valve	ATS-B7SMD-2	1	1					P631290X01	<SV>	
128	R61 014 403	Four way valve	STF-H0421	2	2					P633131X01	<21S4>	
129	R61 024 410	Air purge valve		3	3					KD00U871G02		Chg.
130	R61 014 410	Relief valve		1	1					P634030X01		
131	R61 086 232	Valve block		8	16					P639194X01		
132	R61 023 326	Clip	5pcs	10	13					KD00F663G01		
133	R61 001 574	O-ring	10pcs 15.8	10	13					KD00F664G01		
134	R61 003 574	O-ring	10pcs 33.2	4	8					KD00F664G02		
135	R61 004 532	Nipple	5pcs	10	13					KD00F665G02		Chg.
136	R61 011 454	Strainer		2	2					P641139X01		
137	R63 Y03 454	Strainer		1	1					W893281G01		
138	R61 019 539	Pump		2	2					P722134X01		
139	R61 039 541	Float switch		1	1					KD00F457G06		Chg.
140	R61 L89 480	Plate HEX assy H		1	1					KB00C20QG01		Chg.
141	R61 A06 480	Plate HEX assy C		1	1					KS00C224G02		Chg.
142	R61 043 243	Solenoid coil	PAM-MD12MD-12	1	1					KD00F455G13	<LEV1>	Chg.
143	R61 044 243	Solenoid coil	PAM-MD12MD-13	1	1					KD00F455G14	<LEV2>	Chg.
144	R61 045 243	Solenoid coil	PAM-MD12MD-14	1	1					KD00F455G15	<LEV3>	Chg.
145	R63 Y18 243	Solenoid coil	A20-1B02B-1	1	1					P472012X01	<SV>	





mitsubishi
MITSUBISHI ELECTRIC CORPORATION

BWE01804A (20201130)