

# SERVICE PARTS LIST FOR MITSUBISHI ELECTRIC PACKAGED AIR-CONDITIONERS

**Series : CMB**

**REVISED**

**Nov. 2020**

**BWE01514B**

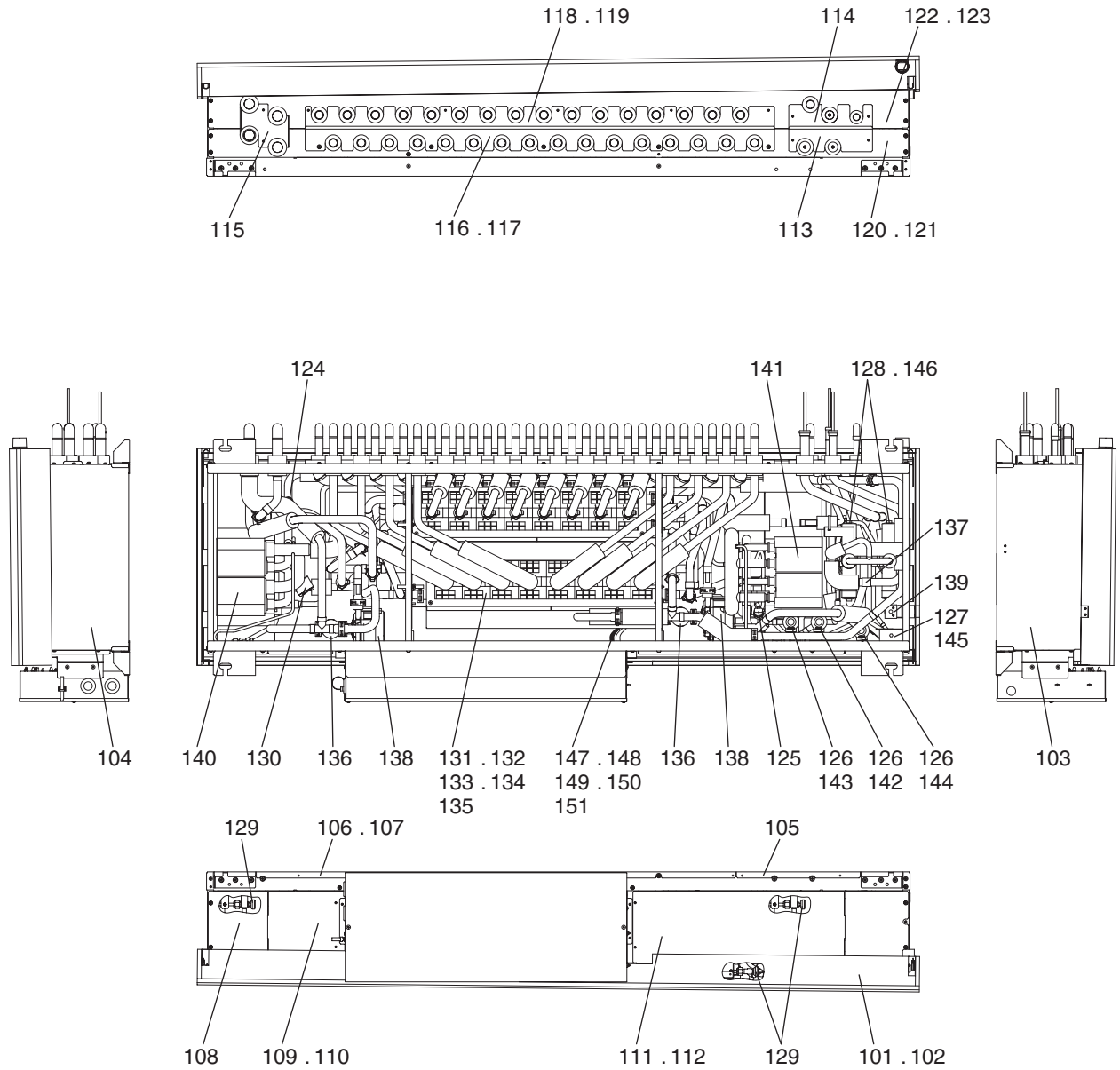
<b>INDEX</b>
<b>CMB-WP108V-GA1</b>
<b>CMB-WP1016V-GA1</b>
<b>CMB-WP108V-GB1</b>
<b>CMB-WP1016V-GB1</b>

Part information update day : **2020/11/02**

Please change the old catalog (issued Apr. 2016, No.BWE01514A) to this new catalog.

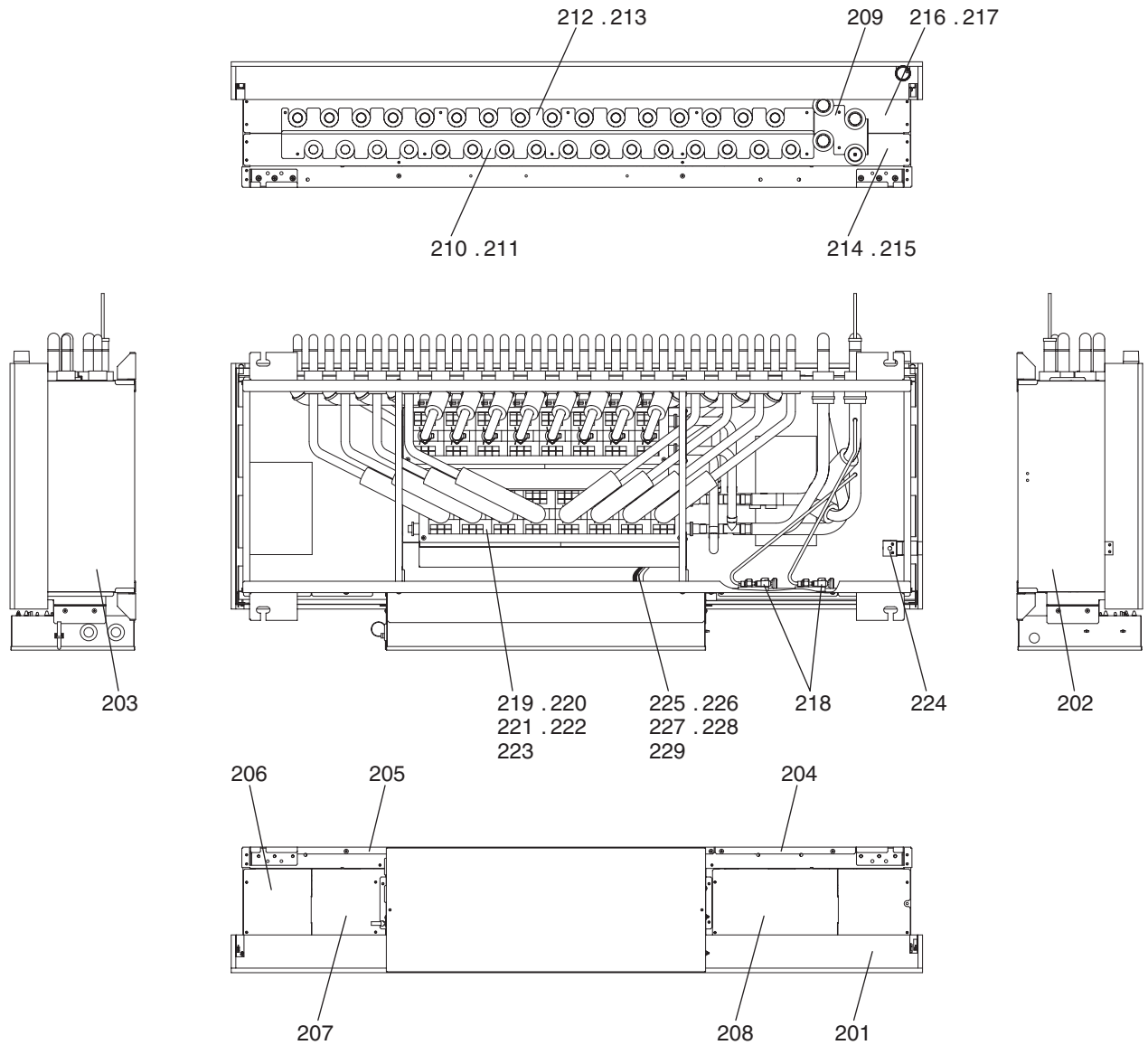
Content of revision : Some of parts are changed.



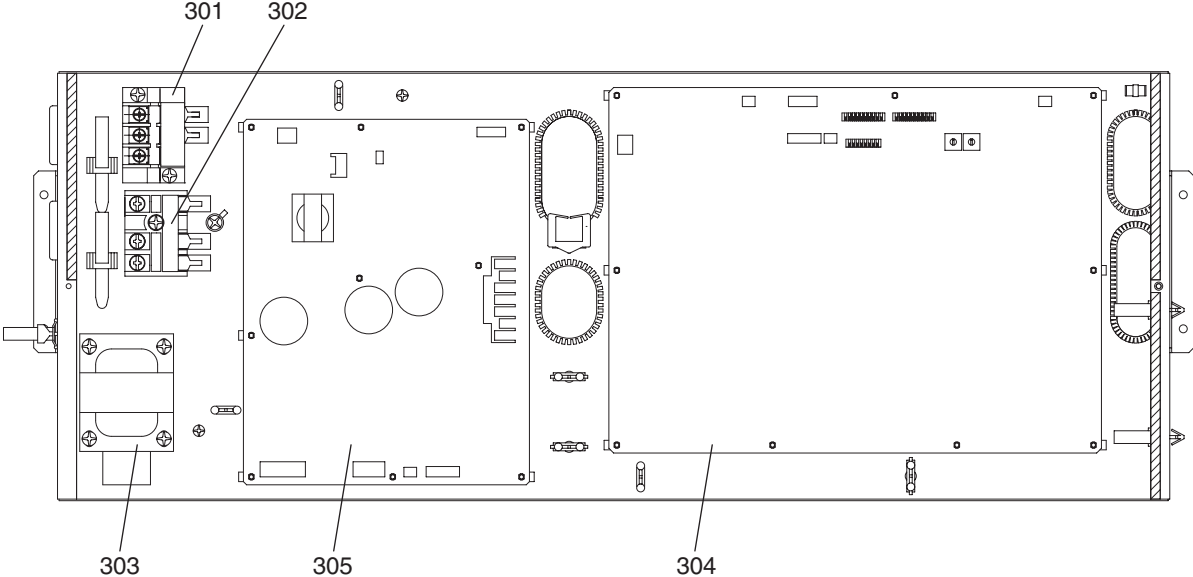


No.	Part No.	Part Name	Spec.	CMB-WP108V-GA1	CMB-WP1016V-GA1					Dwg. No.	Notes for the models	Revision info.
101	R61 147 529	Drain pan			1					KJ00R326G01		
102	R61 148 529	Drain pan		1						KJ00R364G01		
103	R61 324 651	Panel SL		1	1					KB02V561H02		
104	R61 325 651	Panel SR		1	1					KB02V562H02		
105	R61 326 651	Panel TL		1	1					KJ02R327H02		
106	R61 327 651	Panel TR			1					KB02V901H01		
107	R61 328 651	Panel TR		1						KJ02R347H02		
108	R61 178 690	Cover BR L		1	1					KJ02T513H01		
109	R61 179 690	Cover BR R			1					KJ02T536H01		
110	R61 180 690	Cover BR R		1						KJ02T514H01		
111	R61 181 690	Cover BL L			1					KJ02T535H01		
112	R61 182 690	Cover BL L		1						KJ02T511H01		
113	R61 183 690	Cover SL U		1	1					KD02S572H01		
114	R61 184 690	Cover SL B		1	1					KD02S571H01		
115	R61 199 690	Cover SL		1	1					KJ02F088H01		
116	R61 186 690	Cover MU			1					KJ02R330H01		
117	R61 187 690	Cover MU		1						KJ02R349H01		
118	R61 188 690	Cover MB			1					KJ02R329H01		
119	R61 189 690	Cover MB		1						KJ02R348H01		
120	R61 329 651	Panel FU			1					KB02V573H03		
121	R61 330 651	Panel FU		1						KB02V581H03		
122	R61 332 651	Panel FB			1					KB02V572H03		
123	R61 333 651	Panel FB		1						KB02V580H03		
124	R61 117 288	Pressure sensor	HP D272	1	1					KD00U849G05	<PS1>	Chg.
125	R61 118 288	Pressure sensor	HP D272	1	1					KD00U849G06	<PS3>	Chg.
126	R61 107 401	Linear expansion valve	PAM-BBOYGMD-1	3	3					KR50C486H01	<LEV1 ~ 3>	Chg.
127	R63 4F3 232	Solenoid valve	ATS-B7SMD-2	1	1					P631290X01	<SV>	
128	R61 014 403	Four way valve	STF-H0421	2	2					P633131X01	<21S4>	
129	R61 024 410	Air purge valve		3	3					KD00U871G02		Chg.
130	R61 014 410	Relief valve		1	1					P634030X01		
131	R61 086 232	Valve block		8	16					P639194X01		
132	R61 023 326	Clip	5pcs	10	13					KD00F663G01		
133	R61 001 574	O-ring	10pcs 15.8	10	13					KD00F664G01		
134	R61 003 574	O-ring	10pcs 33.2	4	8					KD00F664G02		
135	R61 004 532	Nipple	5pcs	10	13					KD00F665G02		Chg.
136	R61 011 454	Strainer		2	2					P641139X01		
137	R63 Y03 454	Strainer		1	1					W893281G01		
138	R61 019 539	Pump		2	2					P722134X01		
139	R61 039 541	Float switch		1	1					KD00F457G06		Chg.
140	R61 L89 480	Plate HEX assy H		1	1					KB00C20QG01		Chg.
141	R61 A06 480	Plate HEX assy C		1	1					KS00C224G02		Chg.
142	R61 043 243	Solenoid coil	PAM-MD12MD-12	1	1					KD00F455G13	<LEV1>	Chg.
143	R61 044 243	Solenoid coil	PAM-MD12MD-13	1	1					KD00F455G14	<LEV2>	Chg.
144	R61 045 243	Solenoid coil	PAM-MD12MD-14	1	1					KD00F455G15	<LEV3>	Chg.
145	R63 Y18 243	Solenoid coil	A20-1B02B-1	1	1					P472012X01	<SV>	

No.	Part No.	Part Name	Spec.	CMB-WP108V-GA1	CMB-WP1016V-GA1				Dwg. No.	Notes for the models	Revision info.
146	R61 009 242	Solenoid coil	STF-H01AJ1737A1	2	2				P472092X01	<21S4>	
147	R61 039 287	Sensor assy		1	1				KB00V633G02	<TH11 ~ 16,TH32,TH33>	Chg.
148	R61 040 287	Sensor assy			1				KB00V634G02	<TH31a ~ d,TH31m ~ p>	Chg.
149	R61 041 287	Sensor assy		1					KB00V657G02	<TH31a ~ d>	Chg.
150	R61 042 287	Sensor assy			1				KB00V635G02	<TH31e ~ l,TH34,TH35>	Chg.
151	R61 043 287	Sensor assy		1					KB00V658G02	<TH31e ~ h,TH34,TH35>	Chg.



No.	Part No.	Part Name	Spec.	CMB-WP108V-GB1	CMB-WP1016V-GB1					Dwg. No.	Notes for the models	Revision info.
201	R61 148 529	Drain pan		1	1					KJ00R364G01		
202	R61 324 651	Panel SL		1	1					KB02V561H02		
203	R61 325 651	Panel SR		1	1					KB02V562H02		
204	R61 326 651	Panel TL		1	1					KJ02R327H02		
205	R61 328 651	Panel TR		1	1					KJ02R347H02		
206	R61 178 690	Cover BR L		1	1					KJ02T513H01		
207	R61 180 690	Cover BR R		1	1					KJ02T514H01		
208	R61 182 690	Cover BL L		1	1					KJ02T511H01		
209	R61 185 690	Cover SL		1	1					KD02S619H01		
210	R61 186 690	Cover MU			1					KJ02R330H01		
211	R61 187 690	Cover MU		1						KJ02R349H01		
212	R61 188 690	Cover MB			1					KJ02R329H01		
213	R61 189 690	Cover MB		1						KJ02R348H01		
214	R61 334 651	Panel FU		1						KB02V623H01		
215	R61 335 651	Panel FU			1					KB02V621H01		
216	R61 336 651	Panel FB		1						KB02V622H02		
217	R61 337 651	Panel FB			1					KB02V620H02		
218	R61 024 410	Air purge valve		2	2					KD00U871G02		Chg.
219	R61 086 232	Valve block		8	16					P639194X01		
220	R61 023 326	Clip	5pcs	5	9					KD00F663G01		
221	R61 001 574	O-ring	10pcs 15.8	5	9					KD00F664G01		
222	R61 003 574	O-ring	10pcs 33.2	4	8					KD00F664G02		
223	R61 004 532	Nipple	5pcs	5	9					KD00F665G02		Chg.
224	R61 039 541	Float switch		1	1					KD00F457G06		Chg.
225	R61 040 287	Sensor assy			1					KB00V634G02	<TH31a ~ d,TH31m ~ p>	Chg.
226	R61 041 287	Sensor assy		1						KB00V657G02	<TH31a ~ d>	Chg.
227	R61 044 287	Sensor assy		1	1					KJ00T887G02	<TH32,TH33>	Chg.
228	R61 045 287	Sensor assy			1					KB00V659G02	<TH31e ~ l>	Chg.
229	R61 046 287	Sensor assy		1						KB00V660G02	<TH31e ~ h>	Chg.



No.	Part No.	Part Name	Spec.	CMB-WP108V-GA1	CMB-WP1016V-GA1	CMB-WP108V-GB1	CMB-WP1016V-GB1	Dwg. No.	Notes for the models	Revision info.
301	R63 Y02 715	Terminal block		1	1	1	1	W834188H02		
302	R63 979 247	Terminal block		1	1	1	1	P436238X01		
303	R61 030 259	Reactor	9.7MH 5A	1	1			P715488X01		
304	R61 438 280	Board assy	HBC-MAIN	1	1	1	1	W266227G15		Chg.
305	R61 176 280	Board assy	HBC-PS	1	1	1	1	W266227G12		



**mitsubishi**  
**electric**  
**corporation**

---

BWE01514B (20201130)