

PARTS CATALOG

[Model Name]
<Branch box>

PAC-MK53BC

PAC-MK53BCB

PAC-MK33BC

PAC-MK33BCB

[Service Ref.]

PAC-MK53BC

PAC-MK53BCB

PAC-MK33BC

PAC-MK33BCB

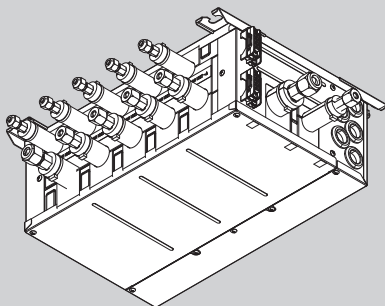
Revision:

- Some descriptions have been modified in REVISED EDITION-A.

OCB664 is void.

Note:

- This service manual describes technical data of branch box. As for indoor units and outdoor unit, refer to its service manual.



PAC-MK53BC

BRANCH BOX

CONTENTS

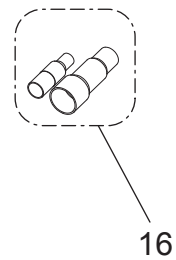
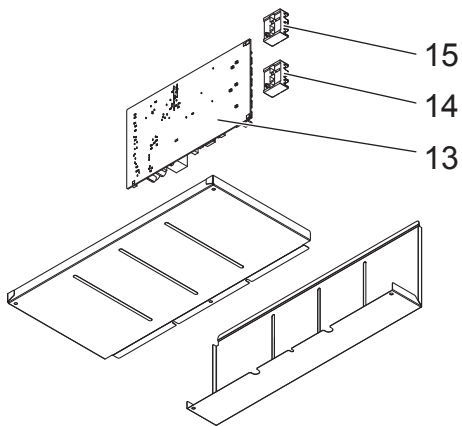
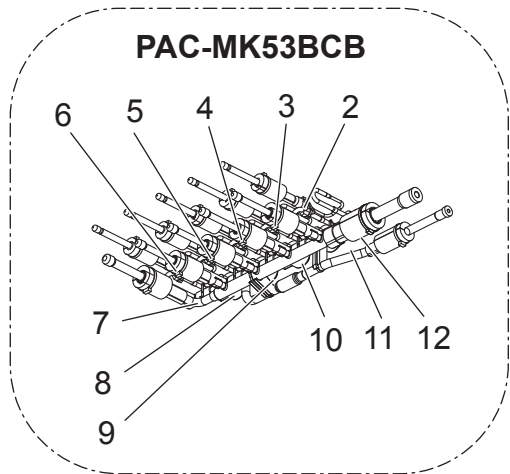
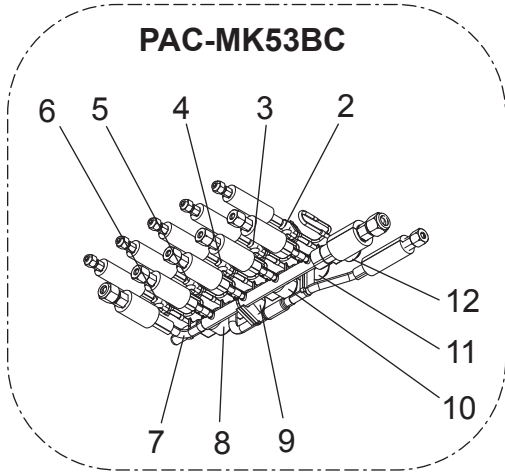
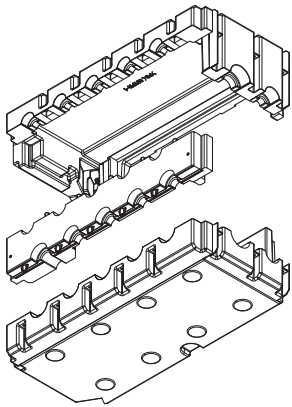
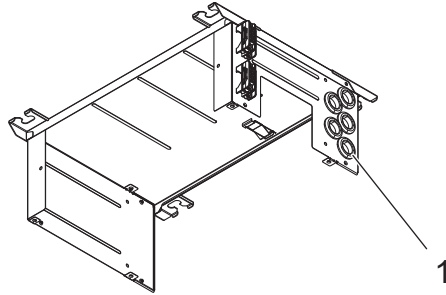
1. SERVICE PARTS LIST.....	2
2. OPTIONAL PARTS.....	6

SERVICE MANUAL (OCH664)

1-1. BRANCH BOX FUNCTIONAL PARTS

PAC-MK53BC

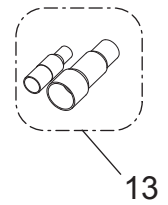
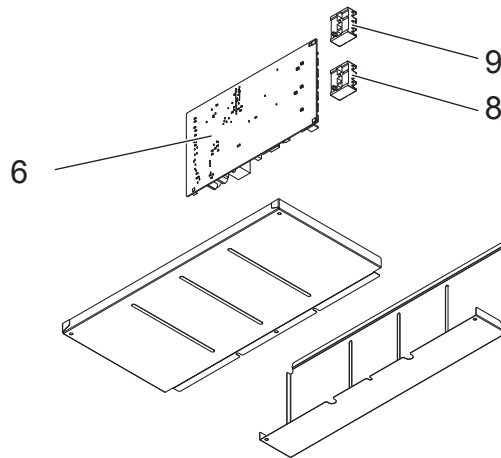
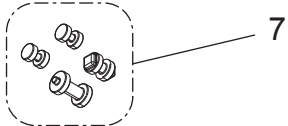
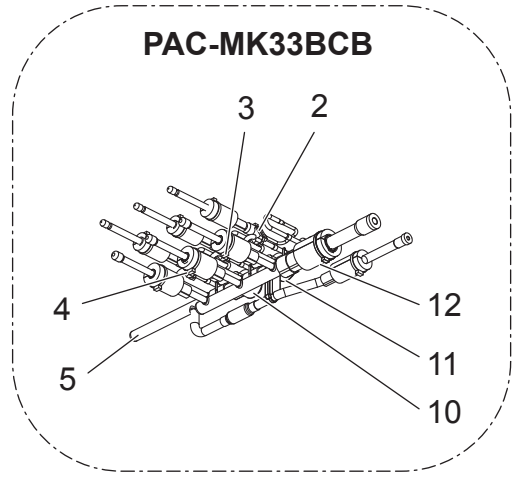
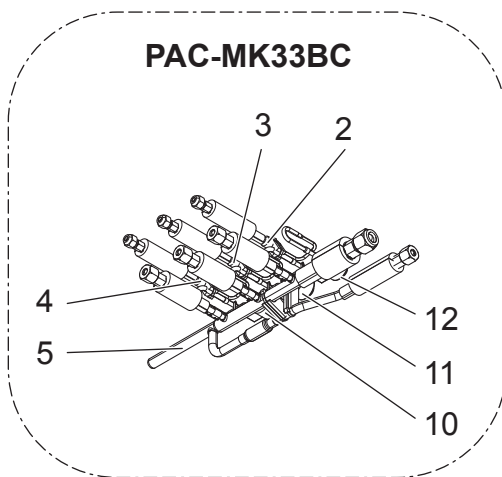
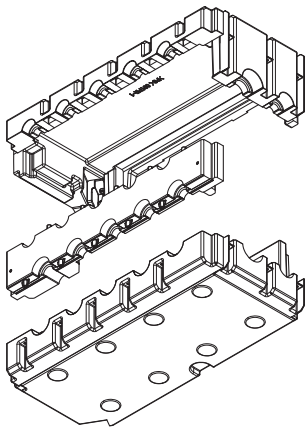
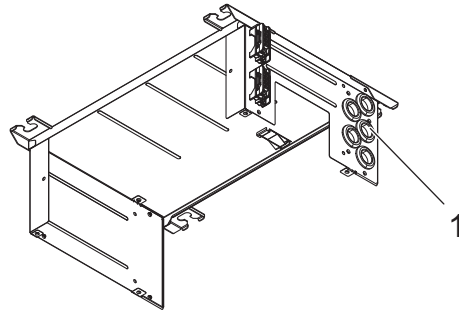
PAC-MK53BCB



Parts numbers that are circled are not shown in the figure.

No.	Parts No.	Parts Name	Specification	Q'ty/unit		Remarks (Drawing No.)	Wiring Diagram Symbol
				PAC-MK53BC	PAC-MK53BCB		
1	R01 H05 124	RUBBER BUSH SET	5 PCS/ SET	1	1		
2	T7W E66 202	THERMISTOR-A		1	1	WHITE	TH-A
3	T7W E67 202	THERMISTOR-B		1	1	RED	TH-B
4	T7W E68 202	THERMISTOR-C		1	1	BLUE	TH-C
5	T7W E69 202	THERMISTOR-D		1	1	BLACK	TH-D
6	T7W E70 202	THERMISTOR-E		1	1	GREEN	TH-E
7	T7W F04 401	LEV ASSY/MK53BC		1			Includes coils
	T7W F06 401	LEV ASSY/MK53BCB			1		Includes coils
8	T7W E77 242	COIL(LEV)/XAP-5P GRN		1	1	GREEN	LEV-E
9	T7W E76 242	COIL(LEV)/XAP-5P BLK		1	1	BLACK	LEV-D
10	T7W E75 242	COIL(LEV)/XAP-5P BLU		1	1	BLUE	LEV-C
11	T7W E74 242	COIL(LEV)/XAP-5P RED		1	1	RED	LEV-B
12	T7W E73 242	COIL(LEV)/XAP-5P WH		1	1	WHITE	LEV-A
13	T7W F21 310	CONTROLLER BOARD		1	1		B.C.
14	T7W E64 716	T.B./L.N	2P (L, N)	1	1		TB2B
15	T7W E60 716	T.B./M1.M2.S	3P (M1, M2, S)	1	1		TB5
16	R01 E02 456	JOINT PIPE SET			1		
17	T7W A18 392	LEAD WIRE SET		1	1		
18	R01 E14 239	FUSE 6.3A 250V	6.3A 250V	1	1		F1
19	R01 E21 239	FUSE 10A 250V	10A 250V	3	3		F2,F3,F4
20	R01 E09 660	PIPE COVERS SET		1	1		
21	R01 E08 660	PIPE COVERS SET		1	1		

1-2. BRANCH BOX FUNCTIONAL PARTS
PAC-MK33BC
PAC-MK33BCB



Parts numbers that are circled are not shown in the figure.

No.	Parts No.	Parts Name	Specification	Q'ty/unit		Remarks (Drawing No.)	Wiring Diagram Symbol
				PAC-MK33BC	PAC-MK33BCB		
1	R01 H05 124	RUBBER BUSH SET	5 PCS/ SET	1	1		
2	T7W E66 202	THERMISTOR-A		1	1	WHITE	TH-A
3	T7W E67 202	THERMISTOR-B		1	1	RED	TH-B
4	T7W E68 202	THERMISTOR-C		1	1	BLUE	TH-C
5	T7W F03 401	LEV ASSY/MK33BC		1			Includes coils
	T7W F05 401	LEV ASSY/MK33BCB			1		Includes coils
6	T7W F20 310	CONTROLLER BOARD		1	1		B.C.
7	R01 E04 124	BUSH SET		1	1		
8	T7W E64 716	T.B./L.N	2P (L, N)	1	1		TB2B
9	T7W E60 716	T.B./M1.M2.S	3P (M1, M2, S)	1	1		TB5
10	T7W E75 242	COIL(LEV)/XAP-5P BLU		1	1	BLUE	LEV-C
11	T7W E74 242	COIL(LEV)/XAP-5P RED		1	1	RED	LEV-B
12	T7W E73 242	COIL(LEV)/XAP-5P WH		1	1	WHITE	LEV-A
13	R01 E02 456	JOINT PIPE SET			1		
14	T7W A18 392	LEAD WIRE SET		1	1		
15	R01 E14 239	FUSE 6.3A 250V	6.3A 250V	1	1		F1
16	R01 E21 239	FUSE 10A 250V	10A 250V	2	2		F2,F3
17	R01 E09 660	PIPE COVERS SET		1	1		
18	R01 E08 660	PIPE COVERS SET		1	1		

2-1. FOR OUTDOOR UNIT

2-BRANCH PIPE (Joint) (In case of using 2-branch boxes)

Parts No.	Connection method
MSDD-50AR-E	flare
MSDD-50BR-E	brazing

Note: Select a joint according to the connection method.

2-2. FOR BRANCH BOX

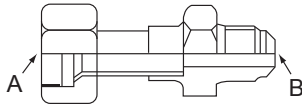
Different-diameter joint (Flare type)

Part No.	Connected pipes diameter	Diameter A	Diameter B
	mm	mm	mm
MAC-A454JP	$\phi 9.52 \rightarrow \phi 12.7$	$\phi 9.52$	$\phi 12.7$
MAC-A455JP	$\phi 12.7 \rightarrow \phi 9.52$	$\phi 12.7$	$\phi 9.52$
MAC-A456JP	$\phi 12.7 \rightarrow \phi 15.88$	$\phi 12.7$	$\phi 15.88$
PAC-493PI	$\phi 6.35 \rightarrow \phi 9.52$	$\phi 6.35$	$\phi 9.52$
PAC-SG76RJ-E	$\phi 9.52 \rightarrow \phi 15.88$	$\phi 9.52$	$\phi 15.88$
PAC-SG75RJ-E	$\phi 15.88 \rightarrow \phi 19.05$	$\phi 15.88$	$\phi 19.05$
PAC-SG71RJ-E	$\phi 15.88 \rightarrow \phi 22.2$	$\phi 15.88$	$\phi 22.2^*$

<Reference>
Conversion formula

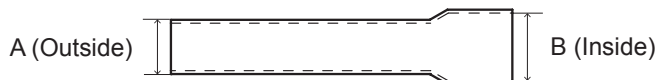
1/4 inch	$\phi 6.35$ mm
3/8 inch	$\phi 9.52$ mm
1/2 inch	$\phi 12.7$ mm
5/8 inch	$\phi 15.88$ mm
3/4 inch	$\phi 19.05$ mm
7/8 inch	$\phi 22.2$ mm

*Brazing



Different-diameter joint (Braze type)

Part No.	Connected pipes diameter	Outside diameter A	Inside diameter B
	mm	mm	mm
PAC-SG78RJB-E	$\phi 9.52 \rightarrow \phi 12.7$	$\phi 9.52$	$\phi 12.7$
PAC-SG79RJB-E	$\phi 12.7 \rightarrow \phi 9.52$	$\phi 12.7$	$\phi 9.52$
PAC-SG80RJB-E	$\phi 12.7 \rightarrow \phi 15.88$	$\phi 12.7$	$\phi 15.88$
PAC-SG77RJB-E	$\phi 6.35 \rightarrow \phi 9.52$	$\phi 6.35$	$\phi 9.52$
PAC-SG76RJB-E	$\phi 9.52 \rightarrow \phi 15.88$	$\phi 9.52$	$\phi 15.88$
PAC-SJ72RJB-E	$\phi 15.88 \rightarrow \phi 19.05$	$\phi 15.88$	$\phi 19.05$



Branch Box Outer Cover (for outdoor installation)

Parts No.	PAC-AK350CVR-E
-----------	----------------

Reactor Box for Branch Box

Parts No.	PAC-RB01BC
-----------	------------

MITSUBISHI ELECTRIC CORPORATION

HEAD OFFICE: TOKYO BUILDING, 2-7-3, MARUNOUCHI, CHIYODA-KU, TOKYO 100-8310, JAPAN