

PARTS CATALOG

Series PCA Ceiling Suspended R407C/R410A

Indoor unit

[Model names]

[Service Ref.]

PCA-RP71HAQ

PCA-RP71HAQ

PCA-RP71HAQ-ER

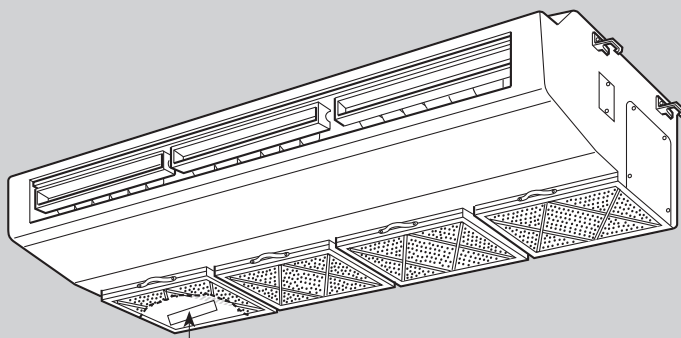
PCA-RP125HAQ

PCA-RP125HAQ

Revision:

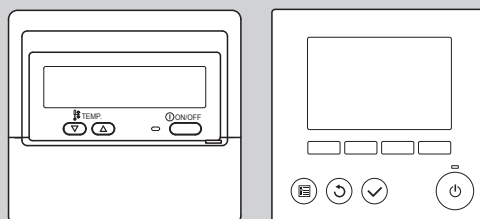
- Some descriptions have been modified in REVISED EDITION-B.

OCB492 REVISED EDITION-A is void.



INDOOR UNIT

Model name indication



REMOTE CONTROLLER
(Option)

CONTENTS

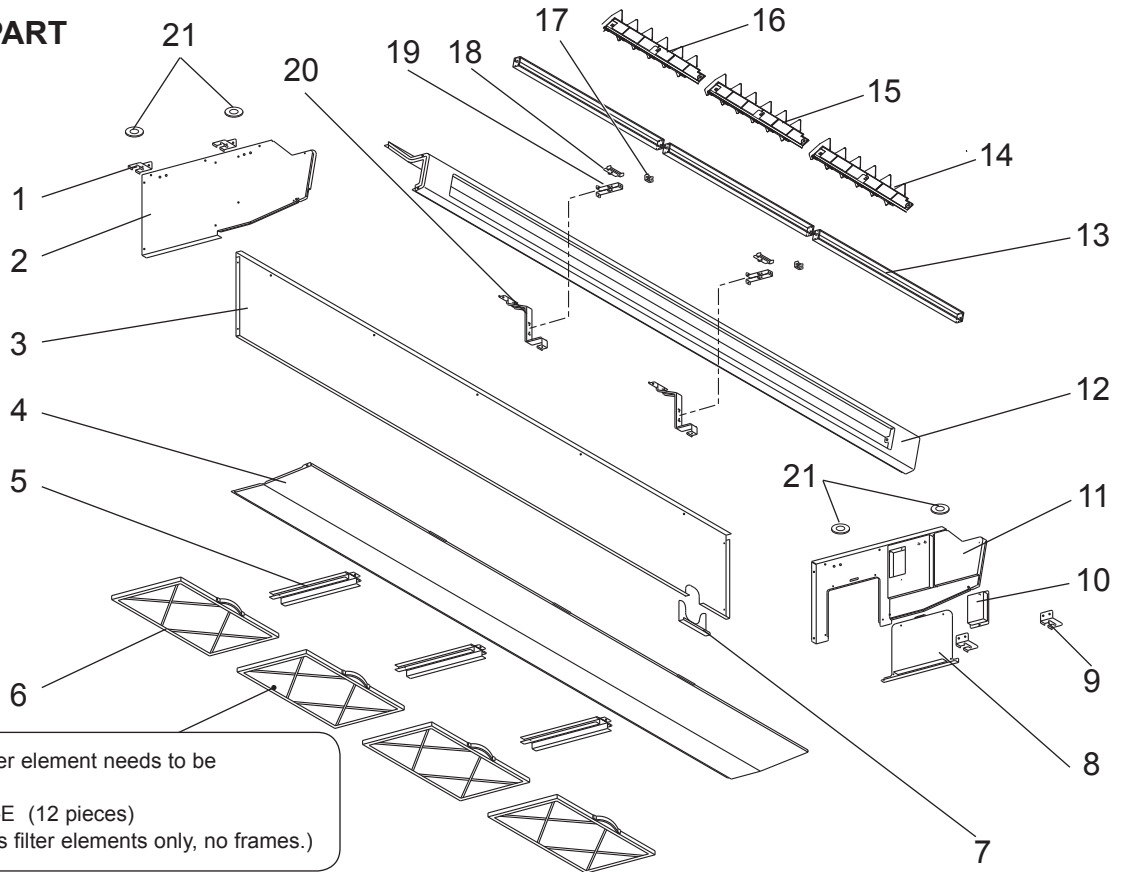
1. SERVICE PARTS LIST.....2

SERVICE MANUAL (OCH492)

1

SERVICE PARTS LIST

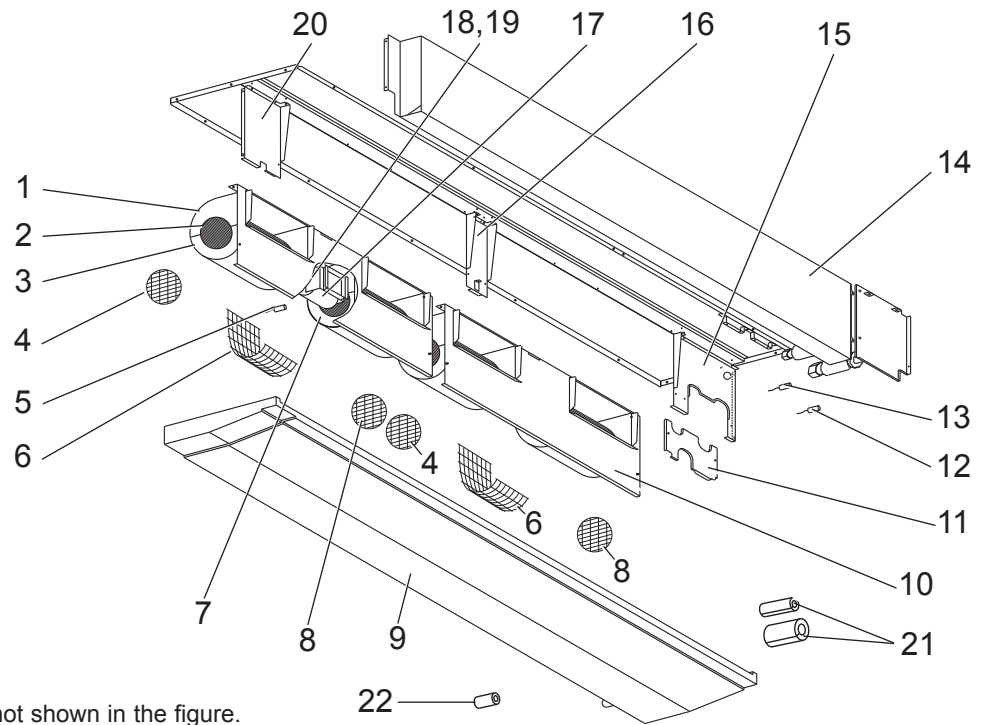
STRUCTURAL PART



The disposable oil filter element needs to be purchased separately.
 Model: PAC-SG38KF-E (12 pieces)
 (The package includes filter elements only, no frames.)

No.	Parts No.	Parts Name	Specification	Q'ty/unit			Remarks (Drawing No.)	Wiring Diagram Symbol
				PCA-RP-HAQ		PCA-RP-HAQ-ER		
				71	125	71		
1	R01 14N 809	LEG-L		2	2	2		
2	R01 14N 662	SIDE PLATE-L		1	1	1		
3	T7W H4N 676	REAR PANEL		1		1		
	T7W 15N 676	REAR PANEL			1			
4	R01 14N 669	UNDER PANEL		1		1		
	R01 15N 669	UNDER PANEL			1			
5	R01 14N 503	FILTER RAIL		2	3	2		
6	R01 15N 500	OIL FILTER		3	4	3		
7	—	DRAIN HOSE SUPPORT		1	1	1	(BG00K145G02)	
8	R01 14N 667	SIDE COVER		1	1	1		
9	R01 14N 808	LEG-R		2	2	2		
10	R01 14N 668	SERVICE PANEL		1	1	1		
11	R01 14N 661	SIDE PANEL-R		1	1	1		
12	T7W 14N 651	FRONT PANEL		1		1		H2
	T7W 15N 651	FRONT PANEL			1			H2
13	R01 15N 002	VANE ASSY		2		2		
	R01 16N 002	VANE ASSY			3			
14	R01 14N 085	GUIDE VANE ASSY-6R		1	1	1		
15	R01 14N 087	GUIDE VANE ASSY-6C			1			
16	R01 14N 086	GUIDE VANE ASSY-6L		1	1	1		
17	R01 14N 533	VANE HOLDER		1	2	1		
18	—	VANE STOPPER		1	2	1	(BG25K262H04)	
19	—	VANE SUPPORT		1	2	1	(BG00K146G02)	
20	—	FRONT SUPPORT		1	2	1	(BG00T773G02)	
21	R01 E13 097	WASHERS SET		1	1	1	4pcs/set	

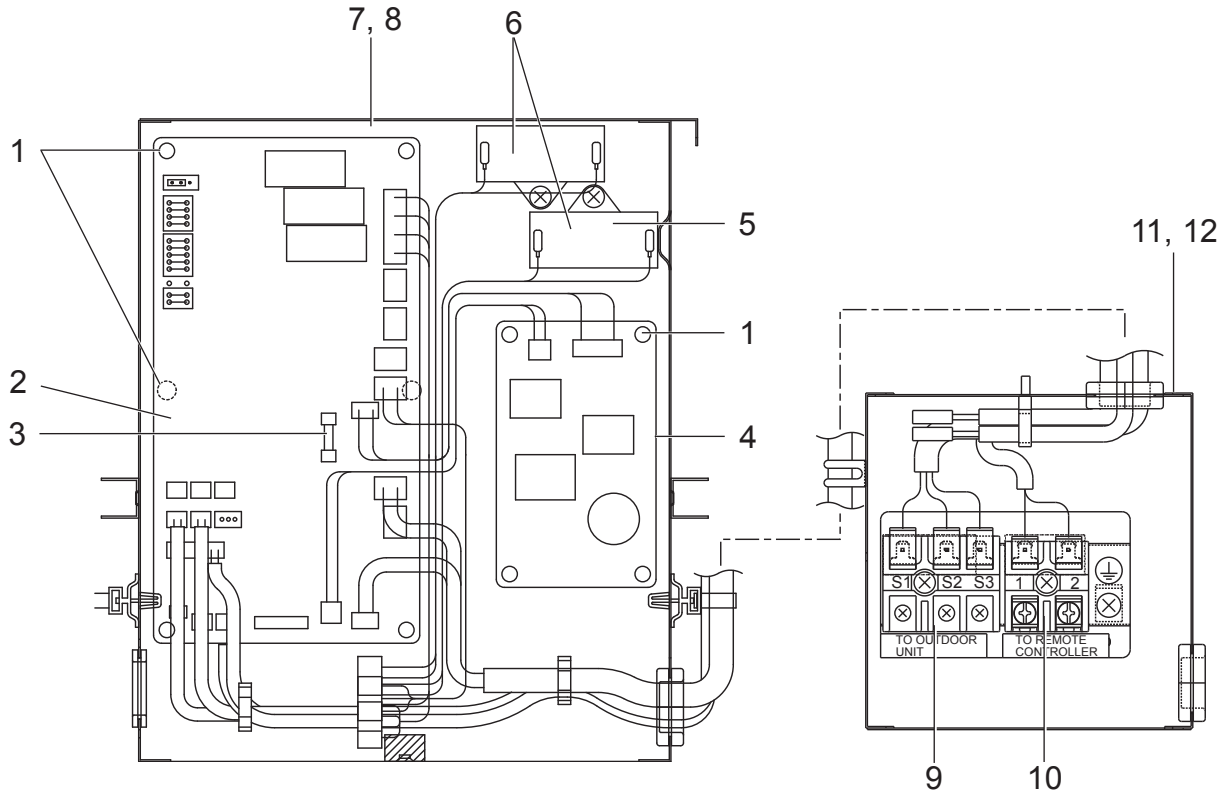
FAN PARTS



Parts numbers that are circled are not shown in the figure.

No.	Parts No.	Parts Name	Specification	Q'ty/unit			Remarks (Drawing No.)	Wiring Diagram Symbol
				PCA-RP-HAQ	PCA-RP-HAQ-ER			
				71	125	71		
1	R01 14N 110	TOP CASING		2		2		
	R01 15N 110	TOP CASING			4			
2	R01 14N 114	SIROCCO FAN		2		2		
	R01 15N 114	SIROCCO FAN			4			
3	T7W 16N 111	UNDER CASING-L		1		1		
	T7W 17N 111	UNDER CASING-L			2			
4	T7W 18N 675	FAN GUARD-L		1	2	1		
5	R01 HR3 202	THERMISTOR (ROOM)		1	1	1		TH1
6	T7W 15N 675	FAN GUARD-L		1		1		
	T7W 16N 675	FAN GUARD-L			2			
7	T7W 14N 111	UNDER CASING-R		1		1		
	T7W 15N 111	UNDER CASING-R			2			
8	T7W 17N 675	FAN GUARD-R		1	2	1		
9	R01 15N 529	DRAINPAN		1		1		
	R01 16N 529	DRAINPAN			1			
10	—	FAN PLATE		1		1	(BG00N756G19)	
	—	FAN PLATE			2		(BG00N756G18)	
11	—	PIPE SUPPORT		1	1	1	(BG02T500H04)	
12	R01 16N 202	THERMISTOR-H		1	1	1		TH2
13	R01 HR5 202	THERMISTOR-2/G		1	1	1		TH5
14	R01 R68 480	HEAT EXCHANGER		1		1		
	T7W H55 480	HEAT EXCHANGER			1			
15	—	FAN PLATE SUPPORT-R		1	1	1	(BG00N893G17)	
16	—	FAN PLATE SUPPORT-C		1	1	1	(BG00N893G14)	
17	T7W H4N 762	FAN MOTOR		1		1		MF1
	T7W 15N 762	FAN MOTOR			2			MF1,2
18	R01 14N 130	MOTOR LEG		1	2	1		
19	R01 14N 126	MOTOR BAND (R. L)		1	2	1	LEFT&RIGHT	
20	—	FAN PLATE SUPPORT-L		1	1	1	(BG00N893G13)	
21	R01 E06 660	PIPE COVERS SET		1	1	1		
22	R01 14N 072	DRAIN HOSE & COVER		1	1	1		
②③	R01 14N 105	RUBBER MOUNT		2	4	2		
②④	—	HOLDER		1	1	1	(BC25G432H01)	

ELECTRICAL PARTS



No.	Parts No.	Parts Name	Specification	Q'ty/unit			Remarks (Drawing No.)	Wiring Diagram Symbol
				PCA-RP-HAQ		PCA-RP-HAQ-ER		
				71	125	71		
1	R01 20J 054	SUPPORT & SPACER		8	8	8		
2	T7W E95 310	CONTROLLER BOARD		1	1	1		I.B
3	R01 E06 239	FUSE 6.3A 250V	6.3A 250V	1	1	1		FUSE
4	R01 E38 313	POWER BOARD		1	1	1		P.B
5	R01 14N 255	RUN CAPACITOR 2.5 MF	2.5 μ F, 440V	1		1		C1
6	R01 E12 255	RUN CAPACITOR 3 MF	3 μ F, 440V		2			C1,C2
7	—	CONTROL BOX COVER		1	1	1	(BG02N713H07)	
8	—	CONTROL BOX DWG		1	1	1	(BG00N800G24)	
9	R01 E20 246	T.B./S1.S2.S3	3P(S1, S2, S3)	1	1	1		TB4
10	R01 E48 246	T.B./1.2	2P(1, 2)	1	1	1		TB5
11	—	TERMINAL BOX DWG		1	1	1	(BG00T759G30)	
12	—	TERMINAL BLOCK COVER		1	1	1	(RG00L681G11)	

MITSUBISHI ELECTRIC CORPORATION

HEAD OFFICE: TOKYO BUILDING, 2-7-3, MARUNOUCHI, CHIYODA-KU, TOKYO 100-8310, JAPAN