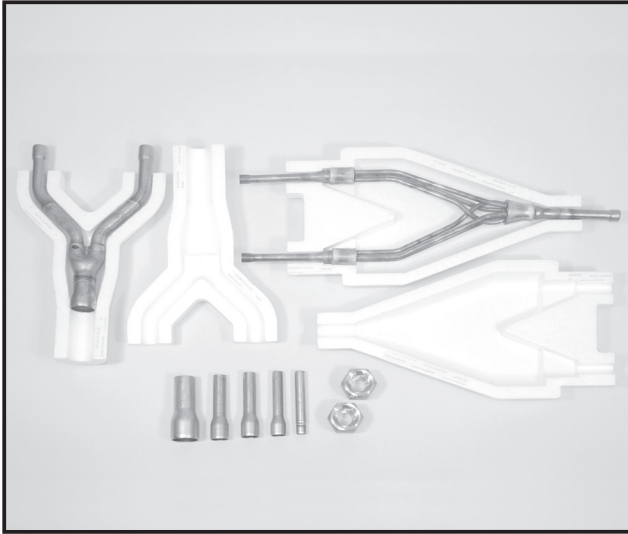


Photo



Descriptions

Branch pipe for Multi-System Twin type Twin use. (50:50)

Applicable Models

- PUAZ-ZRP200/250YKA2
 - PUAZ-P200/250YKA2
- for Twin 50:50 use

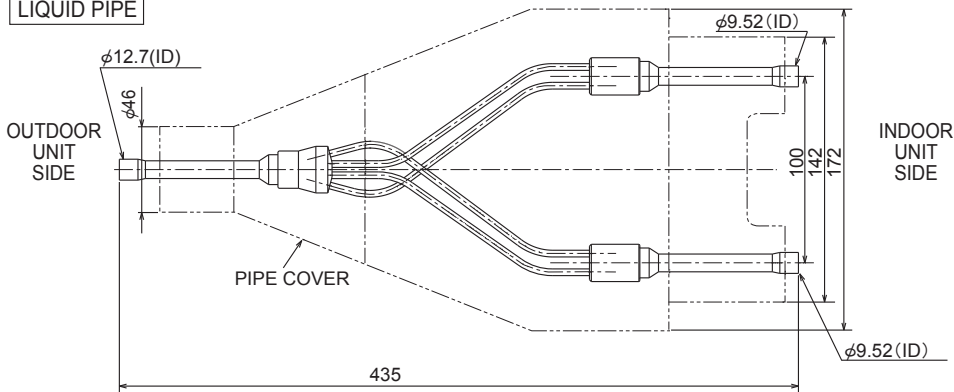
Specifications

Main body	Distribution ratio	Outdoor unit capacity is divided into two (50:50)
	Number of distribution pipes	1 each for liquid pipe and gas pipe
	Pipe material	Phosphate deoxidized copper C1220T-OL (JIS H3300)
Accessory	Pipe cover	Styrofoam molding (for liquid pipe and gas pipe)
	Joint	5 joints (4 types)

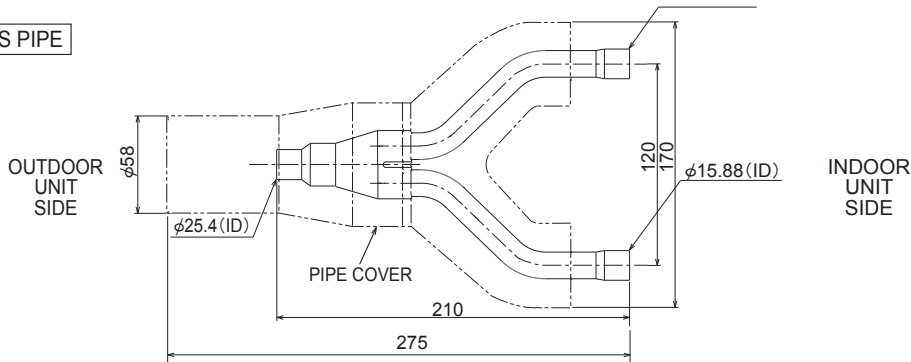
Dimensions

Unit: mm

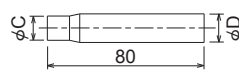
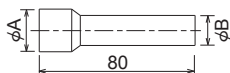
LIQUID PIPE



GAS PIPE



JOINT(Accessory)



ØA(ID)	ØB(OD)	Amount
28.6	25.4	1
15.88	12.7	1
19.05	15.88	2

ØC(ID)	ØD(OD)	Amount
9.52	12.7	1

OPTIONAL PARTS

How to Use / How to Install

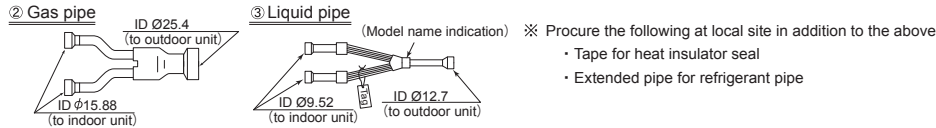
Package Air-conditioner Optional Parts Instruction Sheet for Simultaneous Twin Distributing Pipe

Make sure that you have all the following parts in packing box before installation.

① Instruction sheet This sheet 1 sheet	② Gas pipe 1pc	③ Liquid pipe 1pc	④ Pipe cover (for gas pipe) 1pc	⑤ Pipe cover (for liquid pipe) 1pc	⑥ Joint pipe Ø12.7→Ø 9.52 1pc Ø12.7→Ø 15.88 1pc Ø15.88→Ø19.05 2pcs Ø25.4→Ø28.6 1pc	⑦ Flare nut 5/8F.....2pcs For R410A indoor unit.
---	-------------------	----------------------	------------------------------------	---------------------------------------	--	--

● See the following for the specifications of gas pipe ②, and liquid pipe ③,

■ MSDD-50WR



Pipe size and limit to refrigerant pipe

■ For R407C fixed speed models (Table 1-1)

Outdoor unit capacity	Pipe size (mm)				Actual pipe length (m)			Height Difference (m)		Note 1 Number of bends
	Gas pipe side		Liquid pipe side		Indoor-Outdoor	A+B+C=	Indoor-Indoor	Indoor-Outdoor	Indoor-Indoor	
200(8Hp)	Ø25.4 (1)	Ø19.05 (3/4)	Ø12.7 (1/2)	Ø9.52 (3/8)	A + B = A + C =	70m or less	B-C = 8m or less	H = 40m or less	h = 1m or less	15 or less
250(10Hp)	Ø28.6 (1-1/8)				50m or less					

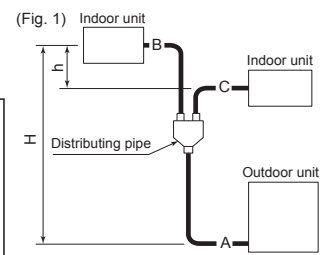
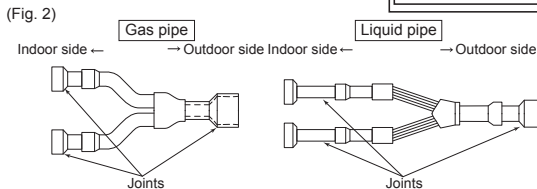
■ For R410A Power Inverter models (Table 1-2)

Outdoor unit capacity	Pipe size (mm)				Actual pipe length (m)			Height Difference (m)		Note 1 Number of bends
	Gas pipe side		Liquid pipe side		Indoor-Outdoor	A+B+C=	Indoor-Indoor	Indoor-Outdoor	Indoor-Indoor	
200(8Hp)	Ø25.4 (1)	Ø15.88(5/8)	Ø9.52 (3/8)	Ø9.52(3/8)	A + B = A + C =	100 m or less (ZRP200/250) 70 m or less (P200/250)	B-C = 8m or less	H = 30m or less	h = 1m or less	15 or less
250(10Hp)	Ø25.4 (1) Ø28.6 (1-1/8)				80m or less					

Note 1: Limit the number of bends for refrigerant pipes to 8 in each of the (A+B) and (A+C) ranges.
 ※ See the installation manual provided with the main unit for details on chargeless pipe length and refrigerant additional charge amount.

Pipe connections

Combination pattern of indoor and outdoor units and joints to be used:



- Perform work, taking care with the followings:
 - Be sure to check the combination pattern of indoor and outdoor units and joints to be used (Table 2).
 - Be sure to observe the limits to refrigerant pipe length and number of bends (Table 1).
 - Insert the refrigerant pipe (procured at local site) and joint ⑥ into the expanded pipe portions of distributing pipe (this product) until they stop, and then connect them using anti-oxidization soldering.
 - There is no restriction on the orientation of distributing pipe (this product) during installation.
 - Take care that no foreign object, such as dust, enters during pipe connecting work.
 - Remove the tag of liquid pipe ③ after checking it.
- Pipe connections
 - The provided joints ⑥ will be necessary depending on the capability of model used: See (Table 2), and connect the joints as shown in (Fig. 2).
 - Do not bend or widen the distributing pipe (liquid pipe).

■ For R407C fixed speed (Table 2-1)

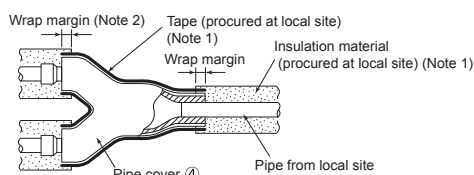
Outdoor unit	Indoor unit	Joint to be used
200(8Hp)	100+100 (4+4)	Outer Ø15.88—inner Ø19.05 [indoor gas pipe side]
250(10Hp)	125+125 (5+5)	Outer Ø25.4—inner Ø28.6 [outdoor gas pipe side]

■ For R410A Power Inverter (Table 2-2)

Outdoor unit	Indoor unit	Joint to be used
200(8Hp)	100+100 (4+4)	Outer Ø12.7—inner Ø9.52 [outdoor liquid pipe side]
250(10Hp)	125+125 (5+5)	HA: Outer Ø25.4—inner Ø28.6 [outdoor gas pipe side] HA2, KA: No joint necessary

※ Installation positions in brackets ().

Heat insulation work



Notes:

- Cover the entire refrigerant pipe (procured at local site) with heat insulation material. When using generally available heat insulation material, heat-resistant insulation material (at least 12 mm thick).
- Pipe covers ④ and ⑤ will shrink slightly at high temperatures: Provide wrap margins with insulation material.

- Fit gas pipe ② into pipe covers ④, and then seal the mated portion of pipe covers ④ using heat insulation seal tape (procured at local site).
- Process liquid pipe ③ in the same way.

Please install contents other than this description on the main part of a product with an attached installation description, and use them as it.