

SERVICE PARTS LIST FOR MITSUBISHI ELECTRIC PACKAGED AIR-CONDITIONERS

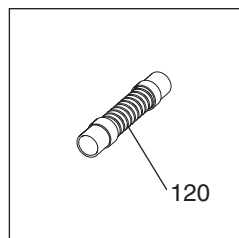
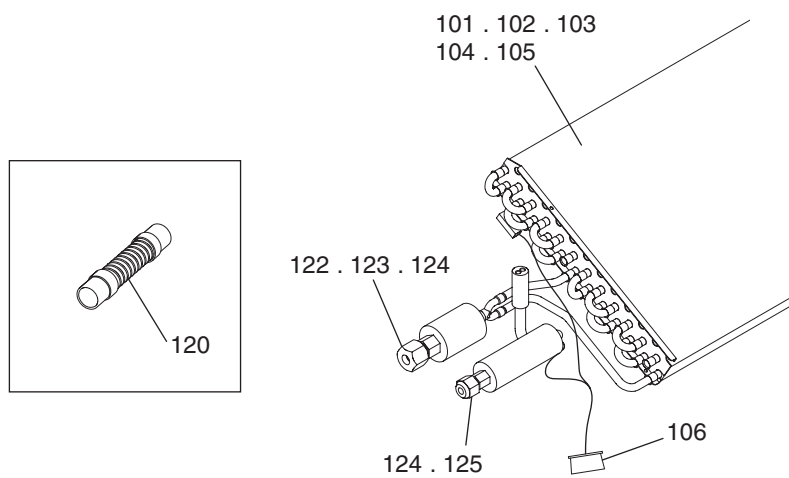
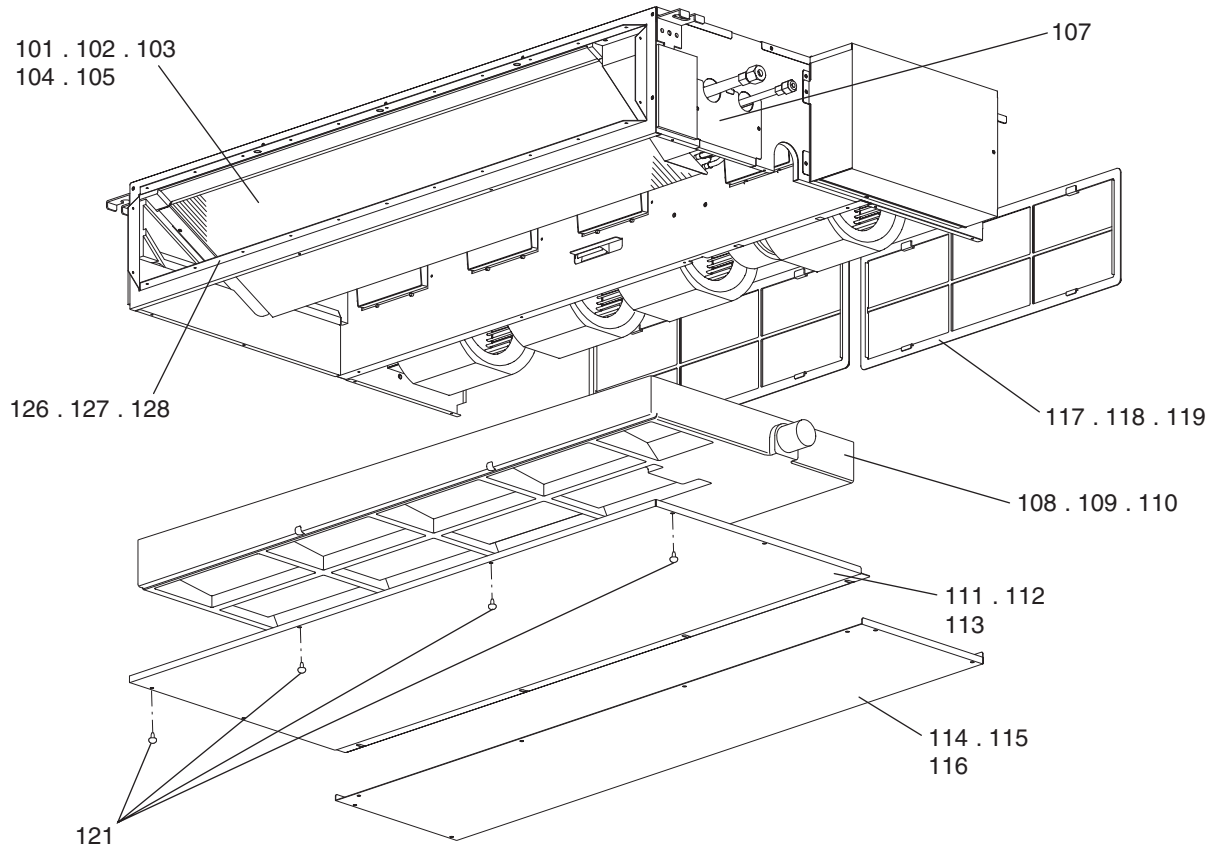
Series : SEZ-M•DA.TH(-ER)
SEZ-M•DAL.TH

Nov. 2017
BWE017250

INDEX
SEZ-M25DA.TH
SEZ-M35DA.TH
SEZ-M50DA.TH
SEZ-M60DA.TH
SEZ-M71DA.TH
SEZ-M25DAL.TH
SEZ-M35DAL.TH
SEZ-M50DAL.TH
SEZ-M60DAL.TH
SEZ-M71DAL.TH
SEZ-M25DA.TH-ER
SEZ-M35DA.TH-ER
SEZ-M50DA.TH-ER
SEZ-M60DA.TH-ER
SEZ-M71DA.TH-ER

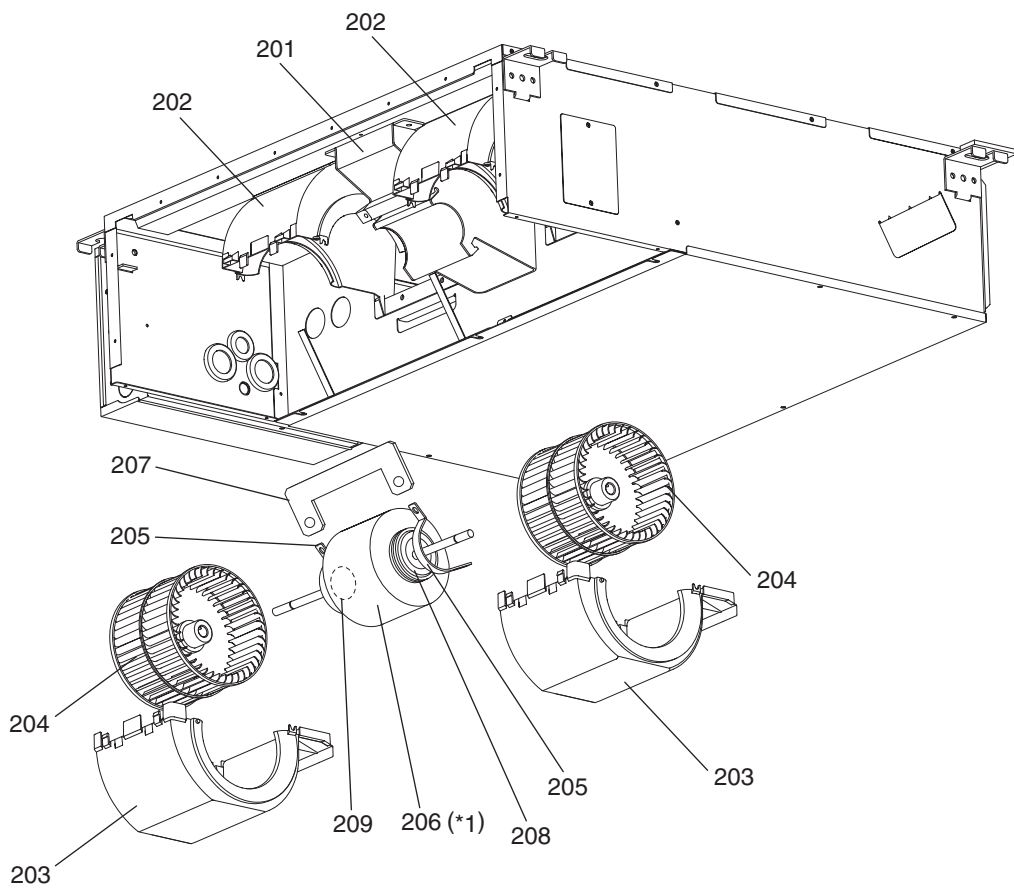
SEZ-M25,M35,M50,M60,M71DA.TH
SEZ-M25,M35,M50,M60,M71DAL.TH
SEZ-M25,M35,M50,M60,M71DA.TH-ER

EXTERNAL PARTS



SEZ-M25,M35DA.TH
SEZ-M25,M35DAL.TH
SEZ-M25,M35DA.TH-ER

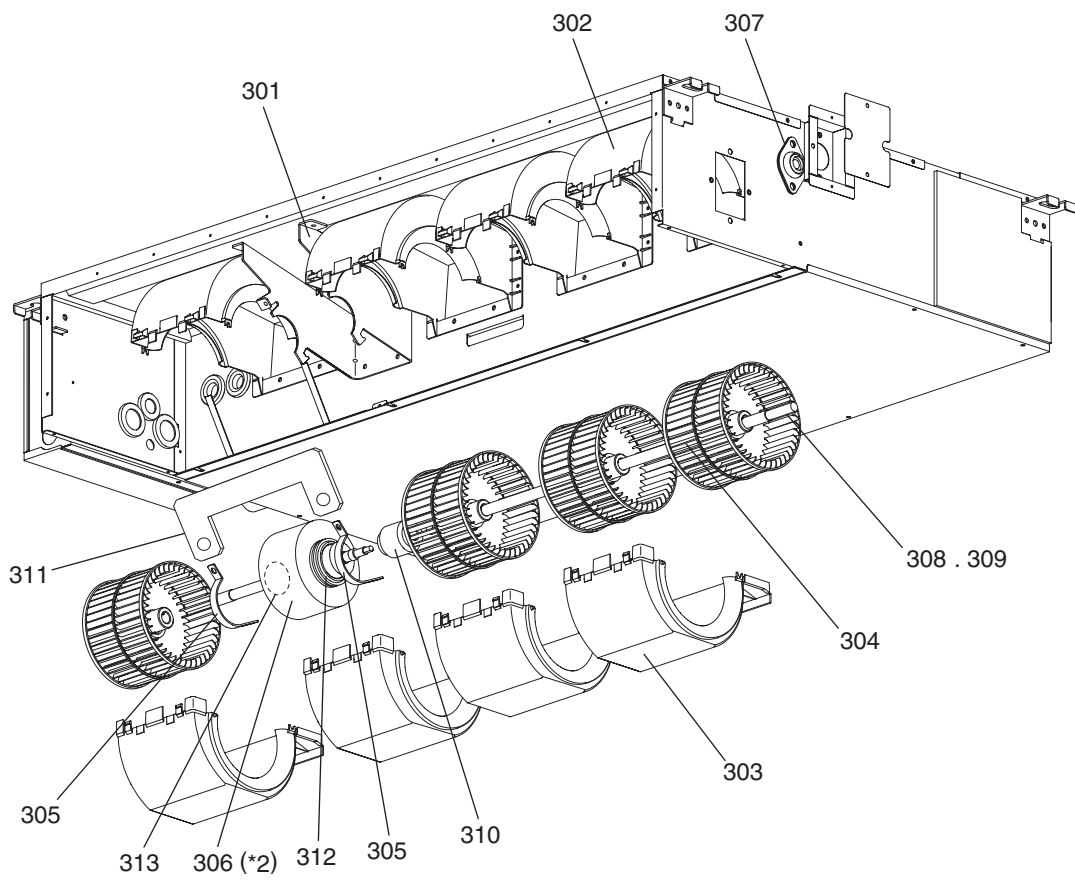
BLOWER PARTS (1)



*1 Motor (Parts No.206) comes with rubber mounts.

SEZ-M50,M60,M71DA.TH
SEZ-M50,M60,M71DAL.TH
SEZ-M50,M60,M71DA.TH-ER

BLOWER PARTS (2)



*2 Motor (Parts No.306) comes with rubber mounts.

SEZ-M25,M35,M50,M60,M71DA.TH
SEZ-M25,M35,M50,M60,M71DAL.TH
SEZ-M25,M35,M50,M60,M71DA.TH-ER

CONTROL BOX PARTS

